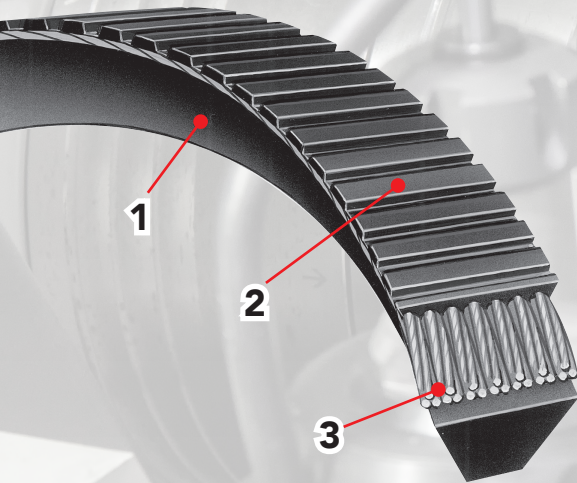


The logo for BANDO, featuring the word "BANDO" in a bold, black, sans-serif font. Above the text is a thick red horizontal bar, and below it is a thick black horizontal bar.

# BanFlex<sup>®</sup>

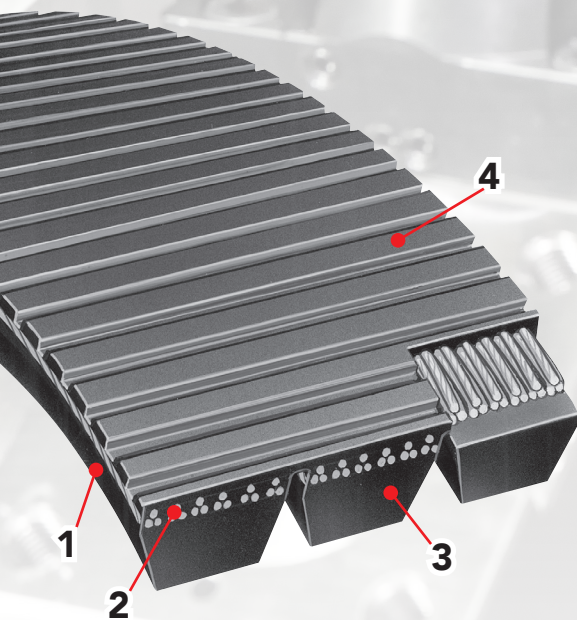
## Polyurethane Belt Drive Systems



### BanFlex<sup>®</sup>

The small cross section of BanFlex<sup>®</sup> belts makes them the preferred choice where short centers and small diameter pulleys are required on compact equipment designs. BanFlex<sup>®</sup> belts' precision molded, seamless construction provides vibration-free operation at speeds in excess of 10,000 rpm.

1. Body—Precision cast, seamless polyurethane, 60° angle for maximum power transmission capability at high speeds
2. Tensile Cords—Polyester tensile member, treated to insure length stability and superior resistance to fatigue
3. Ribs—Polyurethane ribs dissipate heat, and provide lateral rigidity and axial flexibility



### BanFlex<sup>®</sup> Combo

Ideally suited for short centers and small diameter pulleys, BanFlex<sup>®</sup> Combos' banded construction minimizes or eliminates the turnover problem normally associated with small cross section belts. The ribbed construction provides superior flexibility while maintaining lateral stability.

1. Body—Precision molded, seamless polyurethane ribs provide maximum resistance to oil and traditional lubricants with vibration-free operation
2. Tensile Cords—Treated polyester tensile cords resist fatigue and stretch and provide exceptional length stability and drive uniformity
3. Tie Band—Polyamid tie band prevents belt whip under impulse loads
4. Ribs—Polyurethane ribbing for flexibility, heat dissipation and lateral rigidity

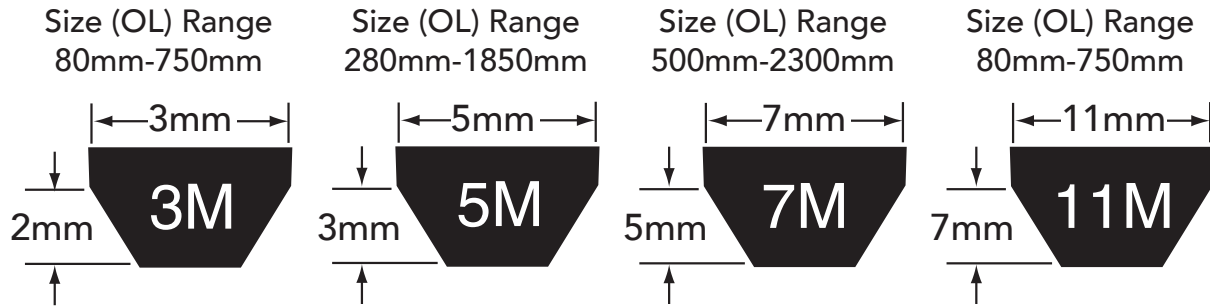
# PRECISION, HIGH SPEED APPLICATIONS DESERVE QUALITY POWER BELTS

S I N C E 1 9 0 6

# WORLD-WIDE MANUFACTURING • WORLD CLASS QUALITY

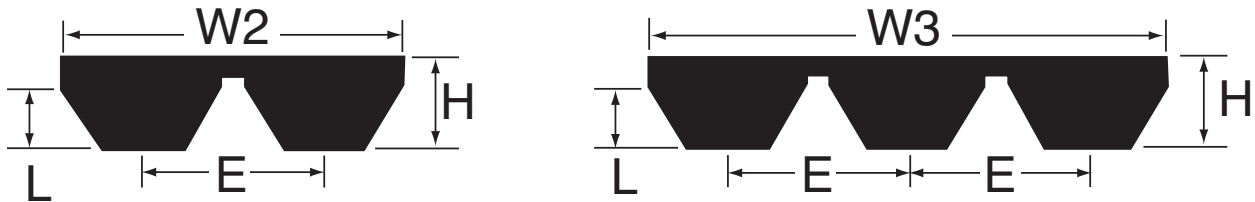
## BanFlex®

Available in four (4) width cross sections: 3mm, 5mm, 7mm and 11mm. BanFlex® belts are ideally suited for small machine tool, appliance, computer peripherals and office automation applications.



## BanFlex® Combo

Drives are configured in either two (2) or three (3) rib combinations which will, in sets, satisfy any multiple belt requirements.



Belt Size	Top Width (mm)		H (mm)	E (mm)	L (mm)	Size (OL) Range (mm)
	W2	W3				
5M	9.8	15.1	3.3	5.3	1.5	280 - 1850
7M	15.6	24.1	5.3	8.5	2.8	500 - 2300
11M	24.4	37.6	7.0	13.2	4.3	710 - 2300

OL = outside length



@BandoUSAInc



BandoUSA.com

Customer Service: 800-829-6612



BandoUSA\_techsupport@bandogrp.com



BUI 1007/06-19