



# MEETING TODAY'S NEEDS WITH PERFORMANCE ENGINEERED OVERSPRAY COLLECTION PRODUCTS

*For flawless finishes, start with Columbus Industries' overspray collection products*



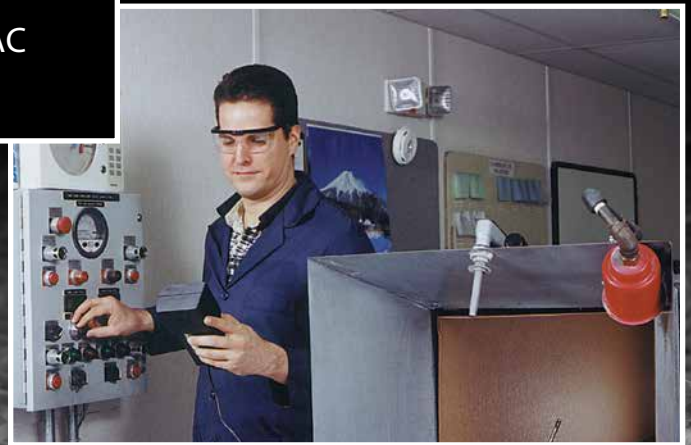
AUTOMOTIVE

AEROSPACE

FURNITURE

APPLIANCES

HVAC



This filter meets GACT for sources subject to SUBPART HHHHHH (Paint Stripping and Miscellaneous Surface Coating at Area Sources) and SUBPART XXXXXX (Area Source Standards for Nine Metal Fabrication and Finishing Source Categories) (>98% EFFICIENT when tested by ASHRAE Method 52.1 in accordance with the NESHAP)

Performance Engineered Air Filter Products  
**Columbus Industries, Inc.**

# TABLE OF CONTENTS

## **I. Overspray Collectors**

- **Collection Principles.....1**
- **Performance Characteristics.....1**
- **Product Line.....2, 3**
- **Applications.....4**
- **Airflow Resistance.....4**
- **Arrestance Efficiency and Holding Capacity.....5**

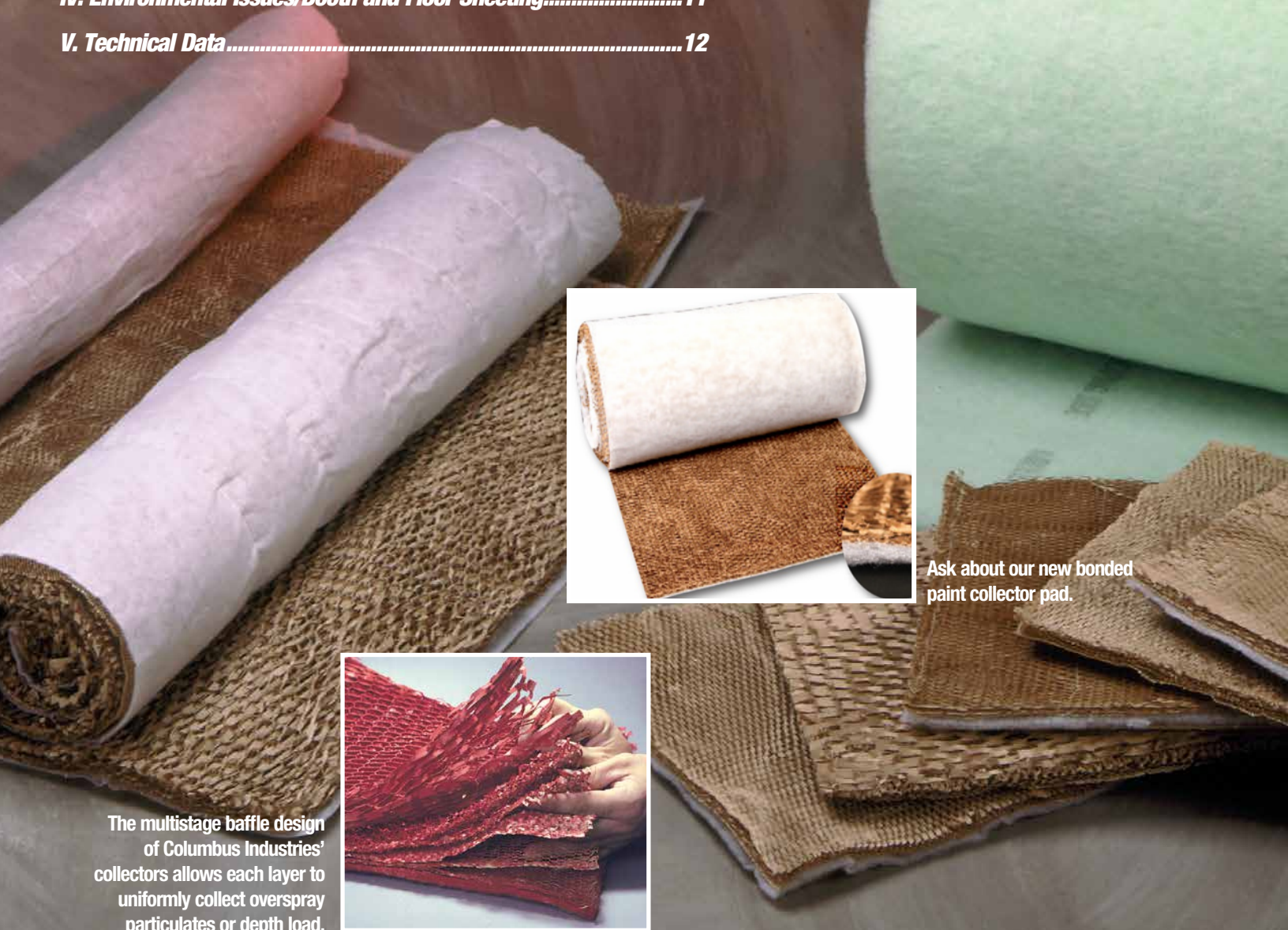
## **II. Collector Bank Designs**

- **Modular Systems.....6**
- **Pads/Rolls/Multistage.....7**
- **Conversions.....8**
- **Holding Capacity and Service Life Analysis.....9**

## **III. Laboratory Testing, Research and Technical Support.....10**

## **IV. Environmental Issues/Booth and Floor Sheeting.....11**

## **V. Technical Data.....12**



Ask about our new bonded paint collector pad.



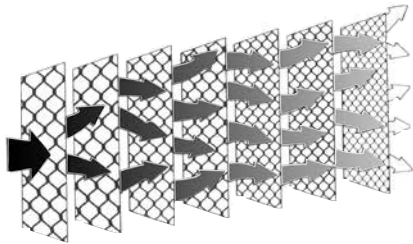
The multistage baffle design of Columbus Industries' collectors allows each layer to uniformly collect overspray particulates or depth load.

# Meeting Your Needs with a Highly Versatile, Cost-Effective Line of Dry Overspray Collectors.

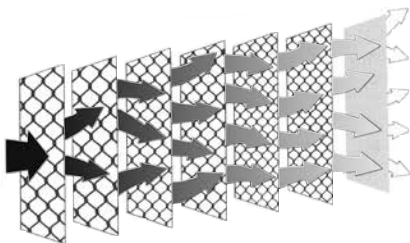
**Overspray collectors are not commodity items and all do not perform equally well on every coating.** Specific types of coatings require certain collector designs and performance levels. A continuing dedication by Columbus Industries to research and develop better overspray collection systems has brought about a complete, highly versatile line of cost-effective dry overspray collectors. Some Columbus Industries' collectors provide optimum performance under general conditions while others are designed to provide maximum performance under specific spray booth applications. One of Columbus Industries' overspray collectors is the perfect match for your overspray collection needs.

## Columbus Industries' Dry Overspray Collection Principles

Columbus Industries' collection media are designed for optimum performance and extended service life. As a result, they are extremely economical collectors of particulates from the exhaust air of spray booths.



Columbus Industries' Standard Mini-Mesh (non-Supra®) overspray collectors are fabricated from slit and expanded kraft media, and utilize the baffle principle of collection to its highest level. These layers are arranged to redirect and cause the particulate-laden airflow to become turbulent, resulting in maximum contact between the solid overspray-particulates and the baffles within the collectors. These baffled layers are also positioned in a graduated density pattern to assure full usage of the collectors' media, or depth loading – the uniform depositing of particulates throughout each layer of the media. Additionally, the kraft material actually absorbs particulates while continually allowing the solvents to evaporate.



Columbus Industries' Supra® overspray collectors incorporate both the strainer principle of collection and the

baffle principle. In these collectors, a final synthetic layer acts as an additional filtering stage by “straining” practically all of the remaining particulates from the air. Since the particulates generated from various types of sprayed coatings differ so much in physical and chemical characteristics, Columbus Industries has developed different collector designs to yield the performance levels required with various types of coatings.

This flexibility in design optimizes the collection efficiency, holding capacity and service life of Columbus Industries' overspray collectors. The design's goal is that efficiency of operation is maintained and resistance to airflow is minimal. This helps slow resistance buildup and minimizes airflow changes, providing more uniform air distribution through the booth and throughout the service life of each collector.

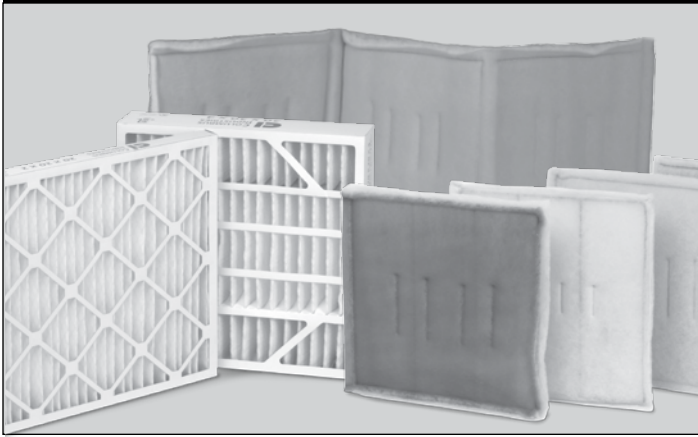
## Performance Characteristics of Overspray Collectors

The four primary categories used to assess the overall effectiveness of a particular overspray collection system are as follows:

- **EFFICIENCY** (formally known as “arrestance efficiency” or “weight arrestance” is now referred to as “efficiency” throughout this brochure) – The average percentage of particulate extracted or collected from the exhaust air. The higher the collector efficiency, the cleaner the exhausted air and spray booth ducts, fan, neighboring properties, plant roof, etc. Higher efficiency lowers booth maintenance costs and, with less buildup, **greatly reduces the chance of a duct fire.**
- **AIRFLOW RESISTANCE** – The measure of resistance encountered by the particulate-laden air as it passes through the collector. (Generally it is stated in inches of water column, the static pressure required to draw air through the filter.) As the collector begins to load, the resistance increases. The velocity of the air through the booth also influences the initial resistance figures and, therefore, the holding capacity and service life. The importance of proper airflow in overspray collection cannot be overemphasized. **The uniformity of airflow and increased efficiency minimizes the amount of overspray deposited where it is not wanted – in difficult to clean areas within the booth, inside of the exhaust duct, on fan blades, plant roof, neighboring properties, parked cars, etc.**
- **HOLDING CAPACITY** – The amount (weight) of overspray a collector will hold before its resistance to airflow becomes prohibitive. A collector should be able to hold overspray throughout its entire depth, which is referred to as depth loading.
- **SERVICE LIFE** – The length of time a collector performs effectively in terms of hours or shift periods before the resistance to airflow becomes prohibitive.

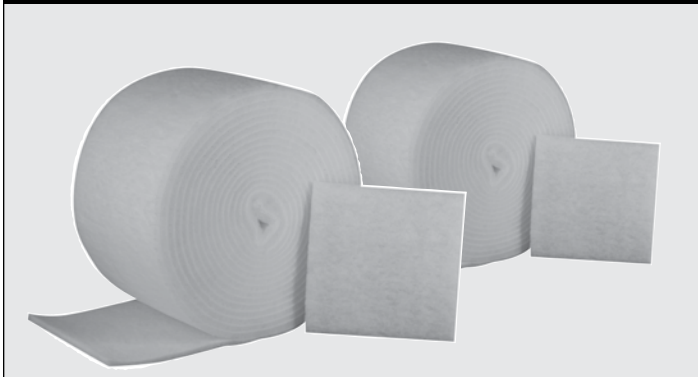
## Columbus Industries' Spray Booth Product Line

### POLYESTER PANELS AND PLEATS FOR INTAKE



Wide range of pleats, polyester panels and pocket filters for your rooftop/AHU applications. Efficiency ratings from M6 to M13 available.

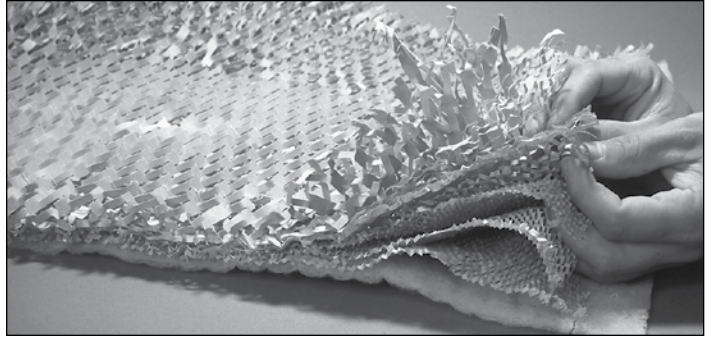
### DIFFUSION ROLLS & PADS 560D, R1S & R1W/O SCRIM FOR BOOTH INTAKE



Columbus Industries has been engineering, manufacturing and distributing the highest quality air filtration products for over 30 years. In addition to the company's comprehensive line of the highest quality non-woven air filters and overspray collectors, Columbus Industries also offers the industry's performance-leading line of Supraloft® diffusion media.

- Creates an evenly-diffused airflow pattern throughout the booth
- Uniform thickness
- Wide variety of sizes, lengths and widths

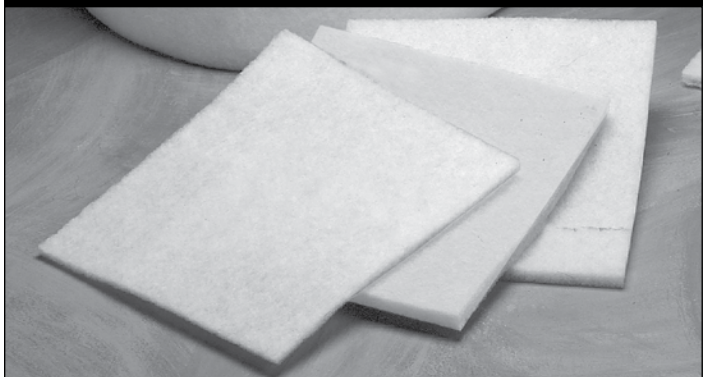
### HIGH-CAPACITY SUPRA® I & II/ HIGH-CAPACITY SUPRA® I & II MINI-MESH FOR PRIMARY OVERSPRAY COLLECTION



The **High-Capacity Supra® I & II Mini-Mesh Collectors** combine the advantages of the High-Capacity Mini-Mesh and Supra® Mini-Mesh Collectors. This provides high efficiency and very high holding capacities. The High-Capacity Supra® Mini-Mesh Collectors incorporate seven layers of slit and expanded kraft with multistage designed baffle openings and one final layer of synthetic media. High-Capacity Supra® Mini-Mesh collectors are specifically designed for high overspray efficiency and extremely high holding capacities with coatings that remain tacky to semi-tacky. These collectors can be effectively implemented on a wide range of coatings.

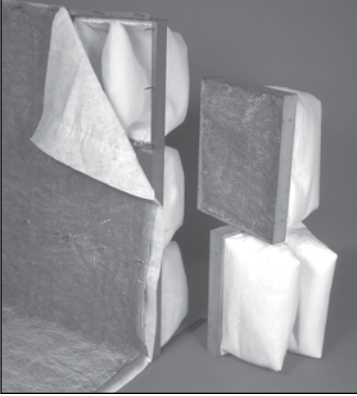
*(See page 3 for additional Mini-Mesh product details.)*

### Supraloft® PAINTSTOP (PSG) AND (PS) POLYESTER SERIES FOR PRIMARY/SECONDARY OVERSPRAY COLLECTION



Columbus Industries' Supraloft® polyester products offer end users a highly economical overspray collector solution. These collectors are available in pads and rolls and are best suited for use as primary or secondary overspray collectors in general applications incorporating a wide variety of coatings where low static pressure and good holding capacity are required.

## Supraloft® MULTIPLE-POCKET CUBE TYPE POLYESTER BAGS



The Supraloft® Multiple-Pocket Polyester Bags from Columbus Industries are designed to provide a highly efficient secondary or tertiary filtering media while maintaining a low resistance to airflow. The pocket construction, or extended surface area, makes these benefits possible.

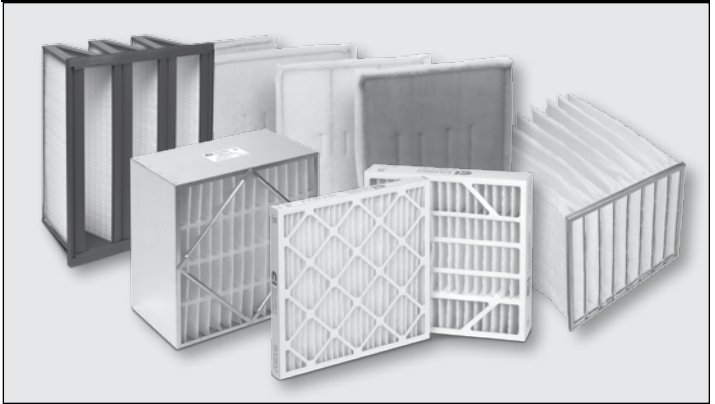
These collectors, which are available in a wide array of

pocket counts, frame configurations and material specifications, yield exceptional efficiencies and long service life.

A full galvanized metal header or wire support grid gives each bag collector product dimension, stability and provides a positive seal within the same frame that our overspray collection pads utilize. Rolls or pads can be used as the primary media in front of the pocket filters.

When used on today's COMPLIANCE coatings such as waterborne and high solids, the Supraloft® Multiple-Pocket Polyester Bags, with their excellent efficiencies and versatility, are the perfect overspray collector. These filter systems are especially important when an end-user has a VOC-abatement system that must be kept cleaner than traditional systems.

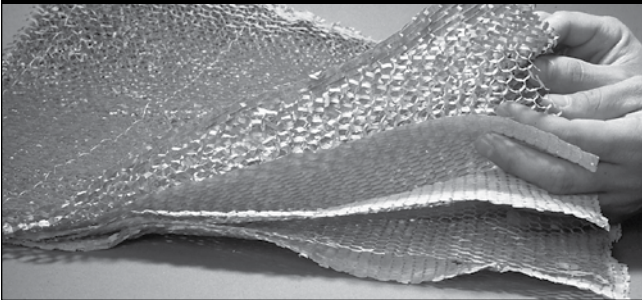
## HVAC PLEATS, MINI-PLEATS, MULTI-POCKETS, V-CELLS FOR ABATEMENT



High efficiency filtration upstream of abatement systems prolong the life and efficient operation of any system. It is key that these products are designed with these applications in mind.

## The Mini-Mesh Advantage

### STANDARD/STANDARD MINI-MESH



Columbus Industries' collectors incorporate a unique **Mini-Mesh** final filtering layer with baffle openings smaller than those found in conventional collectors. This configuration enhances efficiencies and allows the collectors to be packed in higher quantities per container, **requires less storage area, reduces freight costs and reduces disposal costs.** The Mini-Mesh design is a result of equipment companies' success in increasing transfer efficiencies, or the percentage of particles that make contact with the part, thus reducing the amount of overspray actually reaching the collector bank. These Mini-Mesh products are further evidence of Columbus Industries' continuing effort to design overspray collection products best suited to your particular needs.

Overspray collectors of standard diamond construction are also available from Columbus Industries as they have been in the past, which may have a slightly higher holding capacity.

Columbus Industries' baffle-type **Standard Mini-Mesh Collector** is comprised of six layers of kraft media, each slit and expanded into a mesh with baffle-like surfaces. These six baffled layers form a multistage collection design which creates the action necessary for superior depth-loading characteristics. The layers with the larger baffled openings are positioned at the front of the collector. As the exhaust air passes through the collector, these larger front baffles cause the initial turbulence and surface contact removing the larger overspray particulates. The final layers incorporate smaller baffled openings which efficiently trap the vast percentage of the remaining particulates. With this configuration, the Standard Mini-Mesh Collector provides high efficiency as well as good holding capacity. The Standard Mini-Mesh Collector is designed for general application with a wide variety of coatings ranging from lacquers to bake-dry enamels and is particularly suitable for use wherever conventional coatings are being sprayed.

Columbus Industries' Mini-Mesh feature is available in standard and high-capacity Supra® configurations.

# COLUMBUS INDUSTRIES' OVERSPRAY COLLECTOR PRODUCT LINE APPLICATIONS

- 1 - Excellent Performance
- 2 - Good Performance
- 3 - Moderate Performance
- 4 - Not Usually Recommended

Performance is based on an overall rating considering all categories of performance. When evaluating an application, the *priorities of the customer* should determine which media to use while using this chart as a typical guideline.

	Standard & Standard Mini-Mesh	High-Capacity Mini-Mesh	Supra® I Mini-Mesh	Supra® II Mini-Mesh	High-Capacity Supra® I & II Mini-Mesh	SL-100 PS SL-100 PSG*	Supraloft® Polyester Cube Series Secondary Collectors**
Adhesives	2	1	3	3	1	3	Use in 2nd & 3rd stage filtration where high efficiency is required. Especially important in applications using VOC Abatement Systems.
Air-dry Enamels	1	1	2	1	1	2	
Asphalts	2	1	3	2	1	3	
Bake-dry Enamels	2	2	1	1	1	1	
Clear Coats	2	2	1	1	1	1	
Epoxies	2	1	1	1	1	1	
Fiberglass	2	1	3	2	1	4	
Frit	2	1	2	2	1	2	
Gel Coats	2	1	2	2	1	2	
High Solids - Enamels	3	3	1	2	2	2	
Lacquers - Nitrocellulose	1	2	4	2	3	2	
Primers - Air Dry	1	1	2	1	1	2	
Tar-like Coatings	2	1	2	2	1	3	
Teflon	2	1	2	2	1	2	
Urethanes	2	1	1	1	1	1	
Vinyls	2	1	2	2	1	2	
Waterbornes	2	2	1	1	1	1	
Stains	1	1	2	1	2	1	
Sealers	1	2	2	1	2	1	
Glazes - Fillers	1	1	2	1	1	1	

## COLUMBUS INDUSTRIES' CLEAN COLLECTOR RESISTANCE TO AIRFLOW IN INCHES WATER COLUMN

Air Velocity (FPM)	Standard Mini-Mesh	High-Capacity Mini-Mesh	Supra® I & II Mini-Mesh (Range)	SL-100 PSG, SL-100 PS (Range)	Polyester Cube Series Secondary Collectors (DP-1, DP-2 Range)**
100	.015	.015	.040 - .050	.025 - .040	.020 - .050
150	.025	.025	.065 - .095	.050 - .070	.040 - .080
200	.045	.040	.105 - .135	.075 - .105	.060 - .120
250	.065	.060	.150 - .180	.105 - .150	.090 - .170
300	.100	.095	.200 - .250	.135 - .195	.120 - .220
350	.135	.125	.230 - .310	.170 - .245	.150 - .290

OSHA 1910.107 Standard requires that spraying operations be so designed, installed and maintained that the average air velocity over the open face of the booth shall not be less than the lower explosive limit of the solvents being sprayed which is usually above 100 linear feet per minute. Electrostatic spraying operations may be conducted with an air velocity over the open face of the booth of not less than 60 linear feet per minute or more, depending on certain variables (see OSHA 1910.107 Standard for the full scope of spray booth operating requirements). This was initiated primarily from a health standpoint; however, it also provides for proper collection of airborne solids. A higher initial start-up velocity should be used in order to maintain airflow above the minimum required. This is caused by the gradual increase in resistance as the overspray collectors become loaded. Columbus Industries' overspray collectors will function well at excessive velocities; however, primarily because of energy considerations, it is not recommended.

Usually recommend for the following reasons:

\* Size (available in roll widths to 100") • Filter change-out governed by shift change or schedule over pressure drops • Ease of installation

\*\*Range shown is for DP-1 and DP-2 15" deep two-pocket bags. The Supra® Polyester Cube Series Pocket Collectors are meant to be used as secondary collectors.

# COLUMBUS INDUSTRIES' OVERSPRAY COLLECTOR PRODUCT LINE

## EFFICIENCY/HOLDING CAPACITY PERFORMANCE FOR TYPICAL COATINGS



This filter meets GACT for sources subject to SUBPART HHHHHH (Paint Stripping and Miscellaneous Surface Coating at Area Sources) and SUBPART XXXXXX (Area Source Standards for Nine Metal Fabrication and Finishing Source Categories) (>98% EFFICIENT when tested by ASHRAE Method 52.1 in accordance with the NESHAP)

COATING TYPE	EXPECTED ARRESTANCE EFFICIENCY RANGE (%)	EXPECTED HOLDING CAPACITY (LBS.) @.5" W.C. PER FILTER
<b>STANDARD &amp; STANDARD MINI-MESH OVERSPRAY COLLECTORS*</b>		
Air-dry Enamel	96.0 - 98.0%	3.3 - 3.6
High-Solids Bake-dry Enamel	98.0 - 99.0%	4.0 - 6.0
Lacquer	84.0 - 87.0%	0.5 - 1.5
<b>HIGH-CAPACITY MINI-MESH OVERSPRAY COLLECTORS*</b>		
Air-dry Enamel	96.0 - 98.0%	4.0 - 5.0
High-Solids Bake-dry Enamel	98.0 - 99.0%	5.5 - 7.5
Lacquer	84.0 - 87.0%	1.0 - 2.0
<b>SUPRA® I MINI-MESH HIGH EFFICIENCY OVERSPRAY COLLECTORS</b>		
High-Solids Bake-dry Enamel	99.6 - 99.9% +	4.0 - 5.0
Epoxy Primer	98.5 - 99.5%	5.5 - 6.5
(Tests conducted using one layer of filter media only)		
<b>SUPRA® II MINI-MESH HIGH EFFICIENCY OVERSPRAY COLLECTORS</b>		
High-Solids Bake-dry Enamel	99.4 - 99.7%	4.0 - 6.0
Epoxy Primer	98.0 - 99.5%	5.8 - 6.8
(Tests conducted using one layer of filter media only)		
<b>HIGH-CAPACITY SUPRA® I &amp; II MINI-MESH HIGH EFFICIENCY OVERSPRAY COLLECTORS</b>		
High-Solids Bake-dry Enamel	99.4 - 99.9% +	5.0 - 7.0
Air-dry Enamel	99.0 - 99.5%	6.0 - 8.0
Waterborne 2K	99.2 - 99.7%	2.0 - 3.0
Epoxy Primer	98.0 - 99.5%	6.5 - 8.0
(Tests conducted using one layer of filter media only)		
<b>SL-100 PS, SL-100 PSG OVERSPRAY COLLECTORS</b>		
High-Solids Bake-dry Enamel	99.8 - 99.9%	4.0 - 6.0
Air-dry Enamel	98.5 - 99.5%	1.8 - 2.8
(Tests conducted using one layer of filter media only)		
<b>SL-DP-I POLYESTER CUBE SECONDARY COLLECTORS**</b>		
High-Solids Bake Enamel	99.9 - 99.9%+	Secondary collector holding capacity contingent upon primary collector arrestance efficiency and changeout procedures
Epoxy Primer	99.0 - 99.7%	
Powder Coating	99.0 - 99.9%	
Air-dry Enamel	99.0 - 99.9%	
2K Urethane	99.0 - 99.5%	
<b>SL-45B POLYESTER CUBE SECONDARY COLLECTORS**</b>		
High-Solids Bake Enamel	99.0 - 99.9%	
Air-dry Enamel	99.5 - 99.9%	
2K Urethane	99.0 - 99.7%	

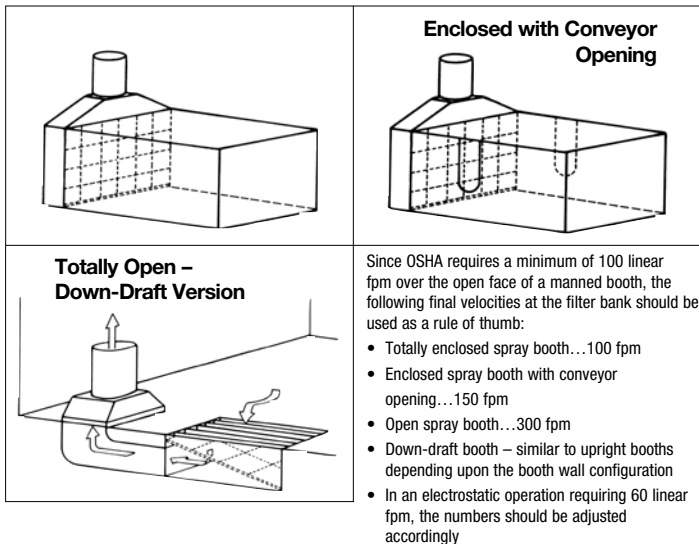
NOTE: Tests were conducted using a modified ASHRAE STANDARD 52-76 test apparatus and procedures. Test media size consisted of 20" X 20" pads held in a frame/grid module just as it would be used in the field. Overspray was 100% from an air atomizing gun with the air velocity of 150 fpm.

\* These ranges should be used as a guideline to verify actual performances. A test on the specific coating should be conducted by the manufacturer using the ASHRAE test apparatus and procedures. Bear in mind that as coatings, viscosities and mix ratios will vary, so will the test results.

\*\* SL-DP-1 and SL-45B expected arrestance efficiency range results achieved using these filters as secondary collectors with a primary filter in place.

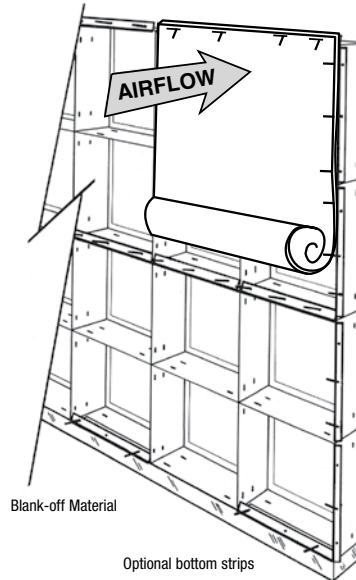
# Meeting Your Needs with a Highly Adaptable, Economical Modular Collection Bank Design

Columbus Industries' modular overspray collection bank system is easily adapted to practically any style or size of new and existing spray booth. Booth styles which can be adapted include the upright totally enclosed, enclosed with conveyor opening and the totally open booth. Additionally, down-draft versions of each of these booth configurations can also be easily converted. Sizes of installations currently operating range from only one module to several hundred. The fact that a booth equipped with Columbus Industries' frames, grids and media (rolls or pads) is very lightweight, allows the booth to be located in desired areas where the weight of other style booths make it prohibitive.



## Simple, Inexpensive Modular Collection Bank Construction

Columbus Industries offers a convenient, economical overspray collector module package and roll conversion strips which take the time, manpower and cost out of spray booth conversions or the development and assembly of a new booth. These simple, efficient systems, when combined with the properly specified Columbus Industries' collectors, will keep ducts, exhaust fans and stacks clean, minimizing maintenance and fire hazards. Good spray booth overspray collection reduces the chance of coating the plant roof, parked cars and neighboring properties. In addition, these systems used in combination with Columbus Industries' overspray collectors provide, on a per pound of overspray collection basis, the most economical means of overspray collection available today and can offer substantial savings in spray booth operating costs.



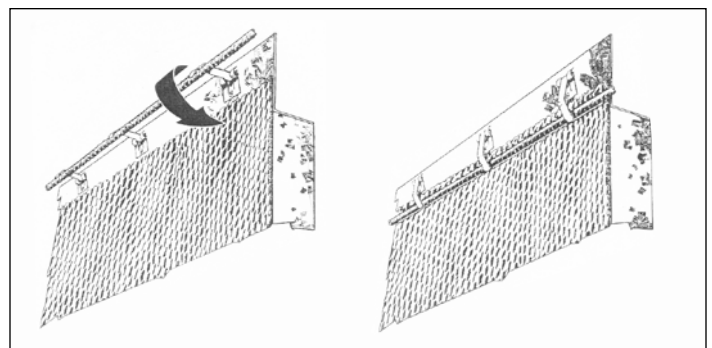
Holding pins are angled upward on horizontal edges and outwards on vertical edges to ensure a taut and secure roll media placement.

Columbus Industries' modular bank section (shown with roll conversion strips) makes conversions and new installations easy and economical.

With the addition of a roll conversion package, those operations utilizing modular dry collector components can convert to roll media for a more cost-effective, high-production design. For the system that best suits your needs, consult your local supplier of Columbus Industries' products.

## Introducing the SNAPPER BAR™ Collector Frame Assembly

- Enables the roll media to be quickly and easily changed
- Allows use of roll media which can reduce costs
- Creates a more positive, leak-proof collector bank seal
- Can be used on an inclined filter bank
- Hinges can be coated with grease or peelable coating to prevent build-up
- Offered in addition to our other paint collector hardware items



Conversion strips and Snapper Bars™ are designed to fit most popular modular systems.

New booths utilizing these overspray collector systems are currently available through major original equipment manufacturers.

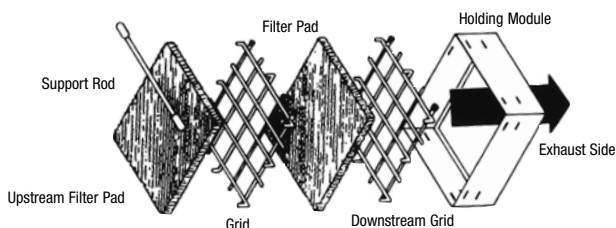


## Columbus Industries' Modular Collection Bank Assembly Instructions

- 1) Utilizing the 20" X 20" or the 20" X 25" modules, a multitude of collection wall sizes can be achieved. First, determine the size of the modular collection wall desired in inches (W X L).
- 2) Calculate the number and size of modules to best suit your spray booth size specifications. This is easily done by first determining the number of 20" increments along the base and the number of 20" or 25" increments along one vertical side of the collection wall. Then multiply these figures together to determine the exact number and size of modules you will need to fit your collection wall most efficiently. (Note: When utilizing the 20" X 25" modules, the 25" edges should be vertical and the 20" edges horizontal.) In retrofitting an existing booth, any remaining open edges should be closed off with the appropriate sheet metal pieces (usually center the filter bank).
- 3) The spray gun is normally located some five to six feet from the filter bank while the plenum depth should be at least the diameter of the properly sized exhaust fan.
- 4) Determine the type of collection system best suited to your needs. For engineering assistance, contact your local representative or Columbus Industries.

## Assembly and Replacement Instructions for Dual Collector Pad Systems

Modular systems utilizing the dual collector pad system require two pads (one upstream pad and one downstream pad), two grids (one for each collector) and one support rod, for each individual module. First, place the downstream grid in the exhaust end of the module frame. Then, place the downstream pad into the grid with the larger grid openings facing the spray gun side of the system. Next, place the remaining grid into the module frame, followed by the upstream pad. Lastly, position the support bar to secure the assembly as needed. This support bar prevents sagging which may occur due to the high holding capacity and service life of Columbus Industries' overspray collection pads.



The modular construction of the overspray collector bank facilitates the changing of only the loaded (used) upstream collector pads as needed. Different medias may be used to gain higher efficiency and/or higher holding capacity.

## Assembly and Replacement Instructions for Collector Roll Systems

Columbus Industries' roll media, especially designed for use in high-production situations, is available in various lengths to fit your booth's specifications. The width of these rolls is designed so that the weight of the loaded rolls is not too heavy to physically remove from the booth. After the roll length is selected, the installation should begin at the top of the modular roll conversion assembly allowing the remaining media to unroll down the face of the rack. The largest openings in the overspray collection media should always be in the upstream position.



Columbus Industries' roll media system is perfect for high production operations (two-stage design shown here), where labor costs are reduced by quicker change outs.

When using the Columbus Industries' modular roll conversion assembly rack, **the flexible design accommodates the use of a single layer of media or two layers of rolls or a roll and pad combination.** This flexibility allows for the specific requirements of an end user to be designed into the system. The roll concept saves time which is particularly important in high-production situations. Less frequent replacement of the secondary (downstream) media should always occur.

These readily replaceable rolls allow for easy maintenance and reduce downtime of production equipment.

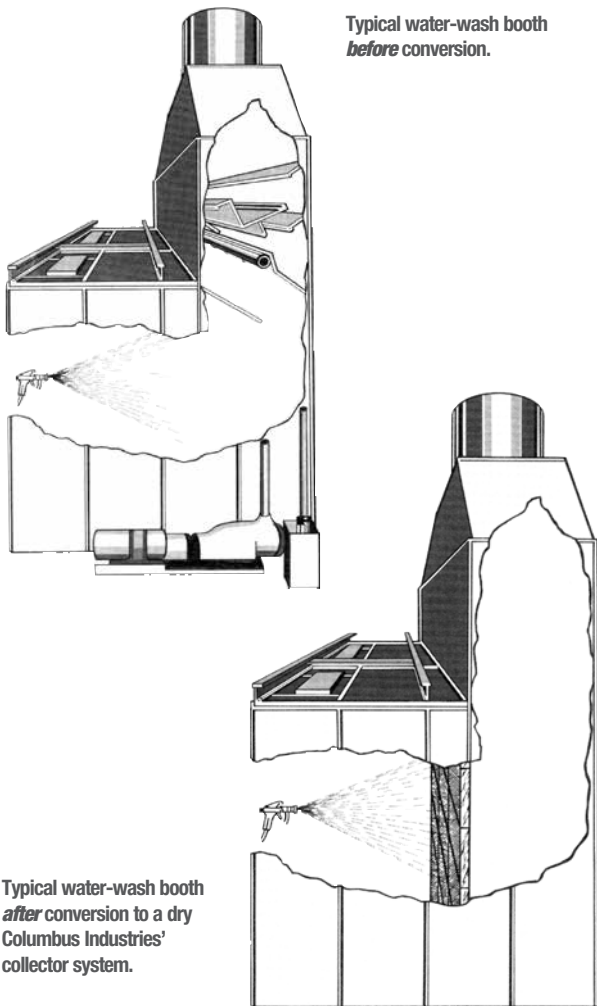
## Multiple-Stage Collection Advantages

- 1) The second layer helps **compensate** for any installation error on the first stage.
- 2) It gives added **efficiency** to the system, reducing booth maintenance requirements even further.
- 3) Two stages allow the use of different Columbus Industries' media so a system can actually be designed for individual applications and extended service life.
- 4) The second layer requires change-outs at a greatly reduced interval and is therefore very **cost-effective**.

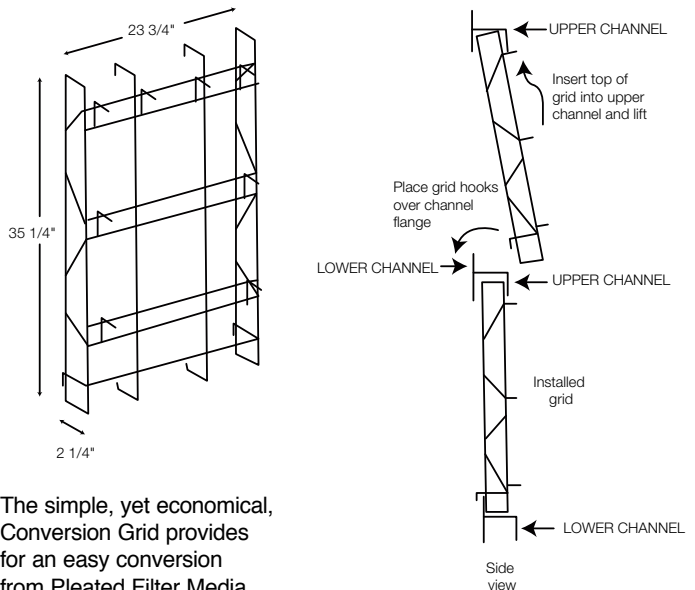
For detailed assembly instructions, refer to Columbus Industries' "COLLECTOR MODULE SYSTEM AND ROLL CONVERSION STRIP ASSEMBLY INSTRUCTIONS" sheet.

## Easy Conversions of Water-Wash Spray Booths

As water-wash booths become inefficient or inoperable, they can easily be converted to a highly efficient and economical Columbus Industries' overspray collection system. All that is usually necessary to complete the conversion is to remove the pump, plumbing and sheet metal baffles. Next, install the Columbus Industries' modular collection bank upstream from the exhaust fan to form a plenum. The distance between the bank and the back wall which forms the plenum should be, at least, equal to the diameter of the properly sized exhaust fan. Additionally, water-wash booths operate against much higher static pressure than the typical Columbus Industries' overspray collection system. Therefore, if left unchecked, converted water-wash systems can develop excessive air velocities. By altering the pulley speed on the fan and motor to match the average resistance required by Columbus Industries' overspray collection systems, reduced energy usage will result from less heat loss in the winter and constant lower energy requirements. An initial velocity of 125 fpm or more is suggested. Refer to fan and motor manufacturer charts and recommendations in order to properly size your system.



## Pleated Filter Conversion Grids (Part Number 2436AGN)

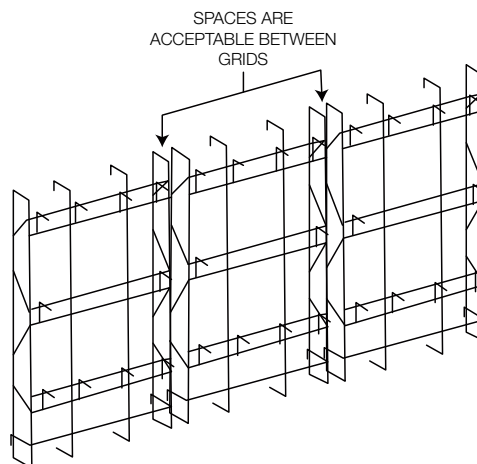


The simple, yet economical, Conversion Grid provides for an easy conversion from Pleated Filter Media to Columbus Industries roll media. The grid design allows the CI media to be hung vertically (usually recommended) or horizontally. Typically, the payback for the Conversion Grid is the first or second media changeout due to reduced booth maintenance and longer service life. Additionally, the CI media can provide higher efficiencies in removing paint overspray from the booth's exhaust airstream while covering the booth channels and hardware, thus further reducing maintenance (costs).

Determine the number of CI Conversion Grids (23 3/4" W X 35 1/4" H) required to fill the booth. For example, a 7' H X 10' W booth will require five Conversion Grids per row. Therefore, the two rows will require 10 Conversion Grids.

Begin unrolling and connecting the media at the top of the upper grid and let the rolls uncurl to below the bottom of the lower edge of the grid(s). If a precut roll (7' for two grids high) is used, then cutting will not be required. If the media is in a longer section (ie 30'), simply cut the roll to the appropriate length.

Or, rolls can be installed horizontally, which will cover the entire face of the booth so no paint overspray is caught on the center support or bottom channel.



# Spray Booth System Analysis – Determining Collector Bank Holding Capacity and Service Life

Simple, yet very conclusive calculations can be performed on new and existing spray booth operations in order to determine a spray booth's collector bank approximate holding capacity and service life. The data required to complete these formulas must be supplied from both Columbus Industries and the end users.

As an example for the calculations that are involved in determining a collector bank's holding capacity and service life with a specific application situation, let's analyze the following hypothetical spray booth system. This exercise has also been designed so that end users can simply plug in their appropriate figures under the column labeled "Actual" and easily complete the necessary calculations.

## Information Supplied by the End User:

	EXAMPLE	ACTUAL
1) Booth size (square footage of the collector bank): 8' high X 10' wide = 80 square feet	80 sq. ft.	_____
2) Weight of the coating per gallon.	10 lbs./gal.	_____
3) Gallons of coating sprayed per shift.	30 gal./shift	_____
4) Pounds of coating sprayed per shift: 30 gallons sprayed per shift X 10 lbs. per gallon coating weight = 300 lbs. of coating sprayed per shift.	300 lbs./shift	_____
5) Transfer efficiency.	60%	_____
6) Percentage of solids in the coating.	70%	_____
7) Percentage of overspray solids in the coating by weight generated per shift: 300 lbs. of coating sprayed per shift X 40% overspray (100% sprayed — 60% transfer efficiency) = 120 lbs. of overspray generated per shift X 70% solids in the coating = 84 lbs. of overspray solids generated per shift.	84 lbs./shift	_____

The end user will also need to supply the following for a laboratory analysis of collector performance on a specific overspray:

- 8) Exact type of coating and consistency of the spray (i.e., tacky, semi-tacky, viscosity, drying time, etc.). All overspray collectors perform at their peak efficiency when the overspray reaching them has not totally dried to a dust-like powder; therefore, these variables can be used to optimize the overspray collector performance.
- 9) One gallon of the coating for testing in Columbus Industries' laboratory (including the Material Safety Data Sheet) and mixing instructions.
- 10) Velocity of the airstream in feet per minute (fpm). Since OSHA requires a minimum of 100 linear fpm over the open face of a manned booth, the following final velocities at the filter bank should be used as a rule of thumb:

- Totally enclosed spray booth 100 fpm
- Enclosed spray booth with conveyor opening 150 fpm
- Open spray booth 300 fpm
- Down-draft booth — similar to upright booths depending upon booth wall configuration
- In an electrostatic operation requiring 60 linear fpm, the numbers should be adjusted accordingly.

- 11) Gun pressures including fluid and air where applicable.
- 12) Objectives of the end user such as efficiency and holding capacity requirements (or emissions standard).
- 13) Any other related information or suggestions.

## Information Supplied by Columbus Industries:

	EXAMPLE	ACTUAL
1) Average efficiency (arrestance) of the recommended collector: Columbus Industries' Supra® I pad recommended and tested with the end user's actual coating employing a modified ASHRAE Standard 52-76 procedure with 20" X 20" pads.	99.8%	_____
2) Holding capacity of the recommended collector (Supra® I) at 0.5" W.C.: 719.12 grams per square foot holding capacity ÷ 453.6 grams per pound conversion factor = 1.585 lbs. per square foot holding capacity. This data was again obtained through the use of the modified ASHRAE test.	1.585 lbs. per sq. ft.	_____

Now that the necessary data has been obtained, the calculations for the collector bank holding capacity and service life can be completed.

**Collector bank holding capacity:** 80 square feet collector bank size X 1.585 lbs. per square foot collector holding capacity (Supra® I) = 126.8 lbs. collector bank holding capacity.

**Collector bank service life:** 126.8 lbs. collector bank holding capacity ÷ 83.83 lbs. actual overspray solids collected per shift (84 lbs. of overspray solids generated per shift X 99.8% Supra® I average efficiency rating = 83.83 lbs. actual overspray solids collected per shift) = 1.51 shifts collector bank service life based on 0.5" W.C. (this varies depending on the booth, motor, etc.).

From this exercise it is evident that the Supra® I Collector would work exceptionally well in this specific spray booth and would last at least one full shift.

With the service life established, the quantity of the material used per shift can be multiplied by the price per unit, deriving a per day or per shift operating cost.

Our staff will gladly assist in recommending the collector to be used. Additional cost breakdowns and comparisons covering all of Columbus Industries' overspray collectors are available through Columbus Industries' technical representatives.

# Overspray Collection System Exhaust Fan Sizing Calculations

The following static loss ranges provide a general guideline when sizing an exhaust fan for a spray booth.

<b>Resistance</b>	<b>Typical Range</b>	<b>Typical Averages</b>	<b>Actual (Calculated)</b>
Loaded intake filter (not powered)	0.20"-0.30" W.C.	0.25" W.C.	_____
Booth entrance loss	0.05"-0.15" W.C.	0.10" W.C.	_____
Loaded overspray collectors	0.30"-0.40" W.C.	0.30" W.C.	_____
Duct work and elbows (typical)	0.20"-0.30" W.C.	0.25" W.C.	_____
<b>TOTAL SYSTEM RESISTANCE</b>		<b>0.90" W.C.</b>	_____

To ensure 100 linear feet per minute (or other required velocity) through the cross section of the booth when the intake filters and overspray collectors are loaded, a start-up velocity of 125 fpm or more is recommended, depending on the booth type.

Typically, loaded overspray collectors become prohibitive to use from an airflow standpoint as the loaded resistance ranges from 0.30" up to 0.50" W.C., depending upon the fan/booth capabilities.

The formula for booth airflow volume is:  $V=HWv$ , where  
 V = Airflow volume (cfm)      W = Booth width  
 H = Booth height                v = Airflow velocity (fpm)

## Why Efficiency Is Important

<b>Filter Efficiency</b>	<b>Overspray Released into the Environment</b>	<b>Exhausted Paint Particles</b>
90%	100 lbs.	
95%	50 lbs.	2 times less
98%	20 lbs.	5 times less
99.8%	2 lbs.	50 times less

**This comparison is based on 1000 lbs. of overspray passing into a filter bank. It explains why efficiency is important.**

## Laboratory Testing, Research and Technical Support

**Columbus Industries' testing serves two primary purposes:**

- Support of ongoing product research and development including comparison to other products on the market.
- Furnishing customers with coating-specific\* paint overspray collector performance data as well as industrial plant and paint spray booth intake filter performance data. Specific testing performed is as follows:

<b>Filter Evaluated</b>	<b>Test Method</b>	<b>Product Performance Data Generated</b>	<b>Challenge Aerosol or Dust</b>
Paint Overspray Collector (Liquid & Powder Coatings)	ASHRAE 52.1 (modified for paint)	<ul style="list-style-type: none"> <li>– Clean Resistance to Airflow</li> <li>– Loaded Resistance to Airflow</li> <li>– Weight Arrestance</li> <li>– Holding Capacity</li> </ul>	– End-User Supplied Coatings (Liquid & Powder Paint)
Intake Filters and General Industrial Filters	ASHRAE 52.1	<ul style="list-style-type: none"> <li>– Clean Resistance to Airflow</li> <li>– Loaded Resistance to Airflow</li> <li>– Weight Arrestance</li> <li>– Holding Capacity</li> </ul>	“ASHRAE DUST”

\* This is an especially valuable tool for industrial end-users attempting to approximate the efficiency that they can expect from their paint spray booth exhaust particulate removal system. (Often a prerequisite in environmental permitting for existing and new booths and to help support annual particulate emission reporting.) The data can also be helpful as a tool for estimating VOC-abatement system inlet conditions.

## The CI Commitment to a Cleaner Environment

We at Columbus Industries are committed to promoting an increased awareness concerning the environment and our industry's relationship to it.

As the concern over environmental issues becomes more urgent, the need for higher efficiency filters increases. The chart on page 10 shows the relationship between filter efficiency and the amount of overspray passed through the filter and into the environment.

The more efficient the filter, the less overspray passed into the environment. Higher efficiency is especially important when VOC-abatement systems are being used.

## When Do You Change Out Loaded Paint Collectors?

Since OSHA requires approximately 100 linear fpm airflow through the booth and to maintain a safe level of the volatile organic compound concentrations in the booth's airstream, it must be possible for the spray booth operator to tell when the overspray collectors are loaded and the airflow is reduced to an unacceptable point. However, accurate detection of this point is crucial and required by code. This can be established by simulation by blocking off areas of the exhaust bank in an even distribution pattern until airflow drops below the required level. Once this airflow point has been reached, it can be matched to the static pressure resistance in water column (W.C.) through the loaded overspray collector media by the use of gauges. The gauges can be manually read or equipped with an automatic system of lights or horns. This resistance point can then be matched to the airflow rate and a change out standard for all or part of the collector media can be established.

## Improve Your Finishing and Your Future with Overspray Collectors Made from Recycled Materials

Columbus Industries has redesigned its overspray collector product line to utilize recycled materials. This is in line with the environmental conservation theme of today and takes our already unsurpassed commitment to the industry even further. By incorporating the newest technology, we are now able to provide you with:

- **Overspray collectors constructed of multilayered, slit and expanded recycled kraft and polyester fiber**
- **Even more environmentally-friendly overspray collectors**
- **Maximum utilization of recycled materials within each component of our overspray collectors**
- **Supra® collectors which employ a final collection layer partially made from recycled nonwoven materials**
- **Polyester overspray collector media is made from recycled plastic consumer products**

- **A comprehensive product line designed to perform on today's coatings including WATERBORNE, HIGH SOLIDS, bake dry and other compliance and conventional coatings**
- **Packaging for our collectors which also incorporates recycled materials**



BOOTHGUARD®, BRITEGUARD® and High Strength CLEANGUARD® Protective Spray Booth Covering.

## A Diverse and Multifunctional Line of Quality Spray Booth Covering from Columbus Industries Allows You to Cost-Effectively Maintain a Safe and Clean Spray Booth Environment

- Facilitates economic and convenient disposal of accumulated overspray residue in spray booth areas
- **Flame and nonflame-resistant** protection
- Easily cut and trimmed to fit desired spray booth surfaces
- Accommodates all paint spray applications from lacquers to clear coats to high solids and beyond
- Fulfills OSHA Safety and Health Standard 1910.107 (b),(j) and NFPA Standard #33
- Available in a variety of widths and grades of durability. Contact your local distributor for details
- When laden with overspray, it should be disposed of in accordance with the same standards and codes that relate to any paint-laden material
- Can be shipped UPS

**CLEANGUARD® High Strength meets the NFPA 33 SEC 10.2.2.1 Max Breakdown Voltage <4KV requirement**

# Technical Data

## Disposal and Compliance Approvals

Columbus Industries' overspray collector products are non-hazardous and biodegrade faster than man-made mineral fibers. Loaded overspray collectors should be disposed of in the same manner as any paint-laden waste material. The proper procedures are contained in OSHA Standard 1910.107, NFPA Standard #33 and the Code of Federal Regulations #40. Additionally federal, state and local codes and regulations should be followed in establishing where and how to dispose of this material.

All Columbus Industries' clean collector medias are non-hazardous. It is, therefore, the coatings contained in these medias which will determine disposal procedures.

Columbus Industries' overspray collection products are also available in UL Approved versions. Columbus Industries' collectors comply with standards set forth by the New York City Board of Standards and Appeals under Calendar No. 292-80 and standards set forth by:

- **OSHA 1910.107**
- **NFPA Standard #33**
- **EPA Aerospace MACT and area source 6H + 6X GACT**
- **Underwriters Laboratory, Inc. (U.L.) (where applicable)**
- **New York City Board of Standards and Appeals**
- **State and local governments**

UL products will be specified on package – otherwise they are Non-UL.

## With Columbus Industries, your spray booths will pass MACT/GACT compliance requirements with flying colors.

Columbus Industries offers your spray booth operation the widest selection of make-up air filters, panel filters, diffusion media, overspray collectors, protective sheeting, spray booth hardware and accessories in the industry. No one else even comes close. What's more, all of our products are backed by proven expertise in bringing spray booth operations around the world up to spec and to their maximum efficiency levels. So, if you're looking for the one source who's best equipped to bring your spray booth operation into MACT compliance economically, look no further. Columbus Industries has a performance-based, MACT-compliant filtration system that will set your spray booth operation soaring.

Virtually all Columbus Industries' paint collector filters meet GACT for sources subject to **SUBPART HHHHHH** (Paint Stripping and Miscellaneous Surface Coating at Area Sources) and **SUBPART XXXXXX** (Area Source Standards for Nine Metal Fabrication and Finishing Source Categories) ( $\geq 98\%$  **EFFICIENT** when tested by ASHRAE Method 52.1 in accordance with the NESHAP).

Columbus Industries' filtration systems for the aerospace industry have been independently tested utilizing U.S. EPA Method 319 for compliance with the aerospace MACT standards.

In order to comply with the Aerospace NESHAP, Paint Overspray Arrestors must be used that have been certified to meet or exceed the Aerospace MACT fractional efficiency particulate standards, as shown below:

Existing Booths (in operation before 6/6/94)			New Booths (in operation on or after 6/6/94)		
Aerodynamic Particle Size (microns)		Aerospace MACT-Required Filter Efficiency (%)	Aerodynamic Particle Size (microns)		Aerospace MACT-Required Filter Efficiency (%)
liquid challenge (oleic acid)	2.2	10%	liquid challenge (oleic acid)	0.42	65%
	4.1	50%		1.0	80%
	5.7	90%		2.0	95%
solid challenge (potassium chloride)	2.6	10%	solid challenge (potassium chloride)	0.7	75%
	5.0	50%		1.1	85%
	8.1	90%		2.5	95%

**Aerospace: NESHAP**



**Area Source: NESHAP (6X 6H)**



## Advantages of Having Columbus Industries' Overspray Collection Products Stocked Locally

Columbus Industries maintains an extensive network of highly professional representatives which provide you with:

- Personal attention and individual analysis of your system
- Factory-backed technical assistance
- Locally stocked product (after determination of a system's requirements) for quicker delivery and to keep inventories lower on site
- Reduced freight costs

## Columbus Industries' Unparalleled Dedication to Customer Service

Columbus Industries continually strives to meet the industry's needs through the development of new overspray collectors which effectively fulfill specific spray systems' requirements. It is this unparalleled dedication to customer service that has enabled Columbus Industries to become a leading industry supplier of "performance engineered" overspray collection and air filtration products.

### WARRANTY DISCLAIMER

Columbus Industries warrants that its overspray collectors shall be of good quality workmanship and free of any material defects. **EXCEPT AS SPECIFICALLY SET FORTH IN THE PRECEDING SENTENCE, COLUMBUS INDUSTRIES DOES NOT ASSUME ANY LIABILITY UNDER ANY WARRANTY, EXPRESS OR IMPLIED, INCLUDING BUT NOT LIMITED TO ANY EXPRESS OR IMPLIED WARRANTY OF MERCHANTABILITY OR FITNESS FOR A PARTICULAR PURPOSE, NOTWITHSTANDING ANY STATEMENTS CONTAINED IN COLUMBUS INDUSTRIES' SALES LITERATURE OR STATEMENTS MADE BY COLUMBUS INDUSTRIES' AGENTS TO THE CONTRARY. COLUMBUS INDUSTRIES' AGENTS HAVE NO AUTHORITY TO GIVE WARRANTIES THAT EXCEED THOSE CONTAINED IN THIS WARRANTY DISCLAIMER. IN NO EVENT SHALL COLUMBUS INDUSTRIES BE**

**LIABLE FOR INCIDENTAL, SPECIAL OR CONSEQUENTIAL DAMAGES. COLUMBUS INDUSTRIES' SOLE AND EXCLUSIVE LIABILITY UNDER ANY WARRANTY SHALL BE THE REPLACEMENT OF A DEFECTIVE OVERSPRAY COLLECTOR PRIOR TO ANY USE OF SUCH OVERSPRAY COLLECTOR BY BUYER, PROVIDED THAT COLUMBUS INDUSTRIES RECEIVES NOTICE OF THE BUYER'S CLAIM RELATING TO SUCH DEFECT IN WRITING WITHIN THIRTY (30) DAYS OF THE BUYER'S RECEIPT OF SUCH OVERSPRAY COLLECTOR, AT THE FOLLOWING ADDRESS: COLUMBUS INDUSTRIES, INC., STATE ROUTE 752, ASHVILLE, OHIO 43103. ALL CLAIMS NOT MADE IN WRITING AND WITHIN THE TIME PERIOD SPECIFIED IN THE PRECEDING SENTENCE SHALL BE DEEMED WAIVED BY BUYER.**

# Save time and simplify your spray booth and HVAC filtration purchasing with the single-source provider – Columbus Industries.

In addition to offering the widest selection of overspray collection products in the industry, Columbus Industries can also provide you with the highest efficiency spray booth intake filters, diffusion media and general HVAC filters to meet all your filtration needs.

So, instead of calling multiple suppliers, call just one – Columbus Industries.



**HVAC Pleats, Polyester Pads and Panel Filters, Multiple-Pocket Filters and Roll Media**



**Spray Booth Polyester Panel Filters, Multiple-Pocket Filters, Diffusion Media and Roll Media**



**Spray Booth Polyester Panel Filters and Roll Media Intake Filters**



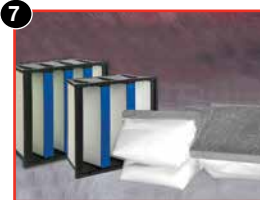
**Spray Booth Recirculating Unit Mini-Pleat Filters and Multiple-Pocket Filters**



**Spray Booth Primary Overspray Paper Collectors and Polyester Roll Media**



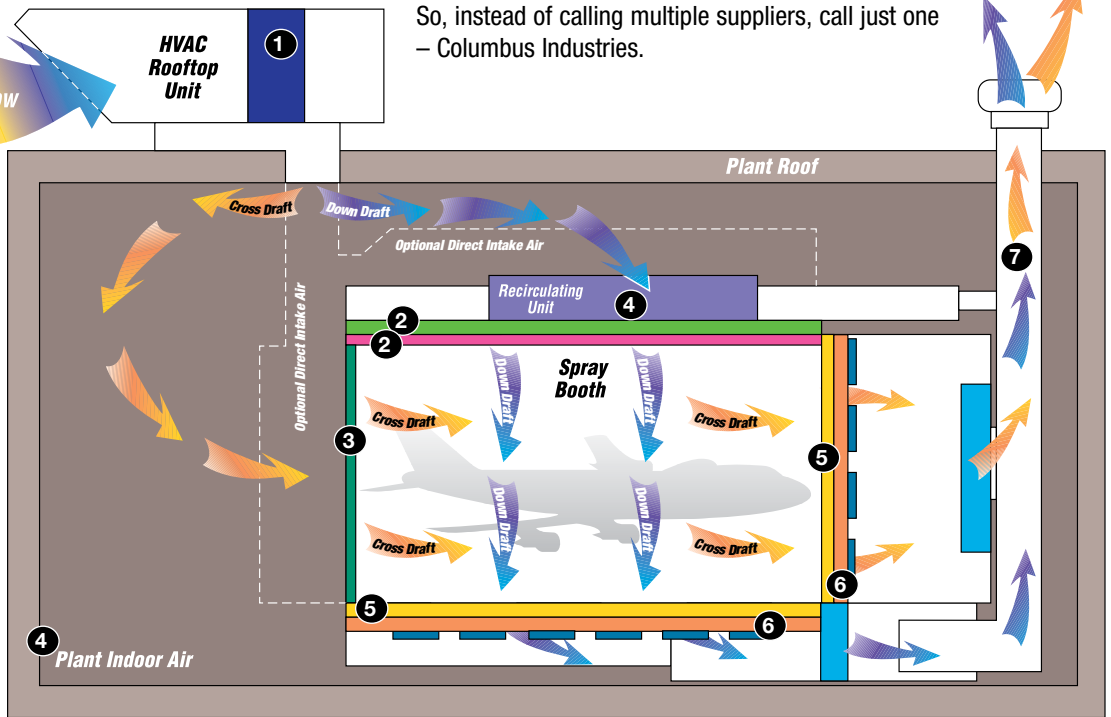
**Spray Booth Secondary Overspray Collection Pads, Multiple-Pocket Filters and Roll Media**



**High Efficiency for Recirculating Booth or Exhausting to Abatement Systems**



**Booth and Floor Protective Covering, Accessories and Hardware**



For further information, contact:

Performance Engineered Air Filter Products  
**CI Columbus Industries, Inc.**

2938 State Route 752 • P.O. Box 257  
 Ashville, OH 43103-0257 • (740) 983-2552  
 Fax: (740) 983-3147 • [www.colind.com](http://www.colind.com)  
 email: [colind@scioto.net](mailto:colind@scioto.net)

CI®, BOOTHGUARD®, BRITEGUARD®, CLEANGUARD®, Supra®, **SURE SHIELD®** and Supraloft® are registered trademarks of Columbus Industries, Inc.

©2014 Columbus Industries, Inc. All rights reserved.

Reorder #: DST-22  
 Rev: 11/2014