

# GUSHER<sup>®</sup>

General Service Industrial Pumps



A RUTHMAN COMPANY

## CL-CC Series Pumps



Specifications, Features  
and Performance



[www.gusher.com](http://www.gusher.com)

# The Gusher CL-CC Series



## General Service Industrial Pumps

- Capacities to 1600 GPM
- Heads to 700 feet
- Temperatures to 250° F (121° C)
- Pressures to 300 PSIG



## Performance Features for General Service

### Pump Reliability

- Stainless Steel & Cast Iron Construction
- Foot Mounted Casing

### Ease of Maintenance

- Back Pull-Out Design
- NEMA JPM Shaft Motor
- Self-Setting Mechanical Seal

### Simple Installation

- Compact, Space Saving Closed Coupled Design
- No Pump/Motor Alignment Required
- ANSI Dimensional Casing

For general service pumping or industrial services, the CL-CC Series is a perfect reliable and economical solution. The close-coupled design and ANSI dimensional casing make installation extremely simple. The CL-CC Series is also easy to operate and maintain with the added benefit of a substantial reduction in maintenance costs.

## Services

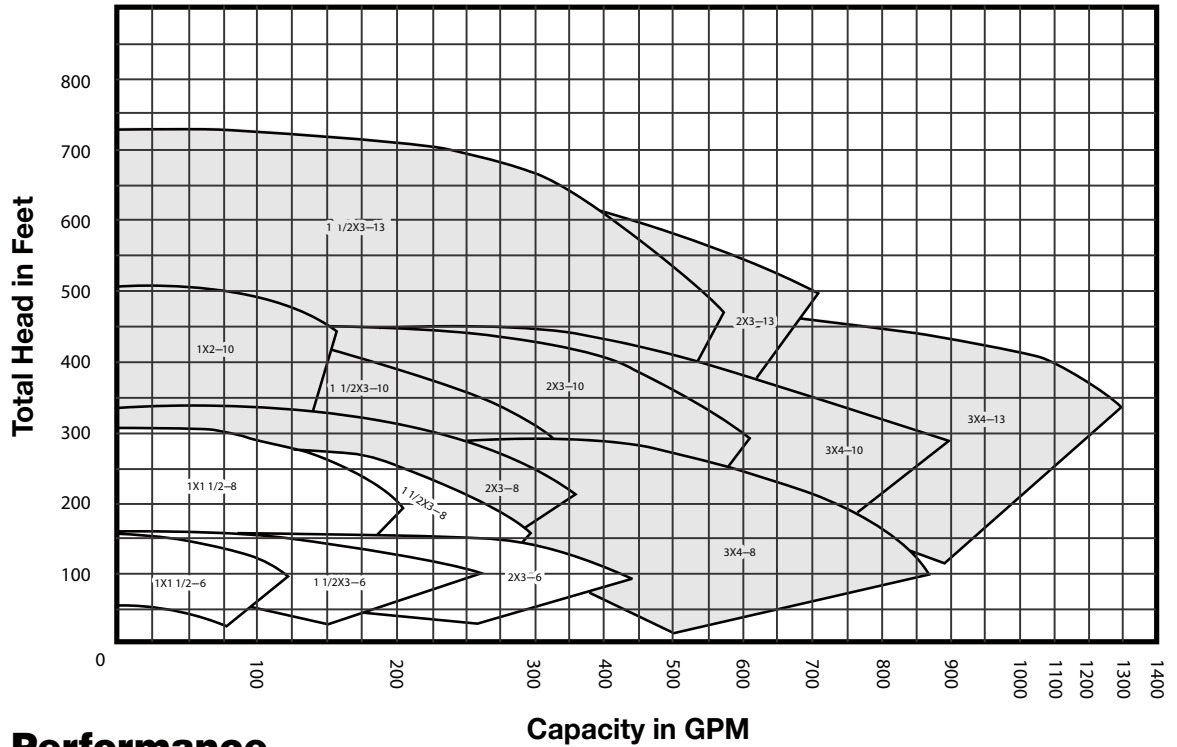
Water Purification/Filtration  
(Reverse Osmosis, Ultra Filtration)  
Parts Cleaners/Washers  
Deionized Water  
Tank Transfer, Tank Cleaning  
Bottle Washing  
Waste Water  
Scrubbers  
Paint Systems,  
OEM Skids  
Seal Water  
Condensate  
Boiler Circulation  
Cooling Water, Electronics Cooling  
Chillers  
Batch Processing

**A Complete range of NEMA JPM Shaft motors are available**

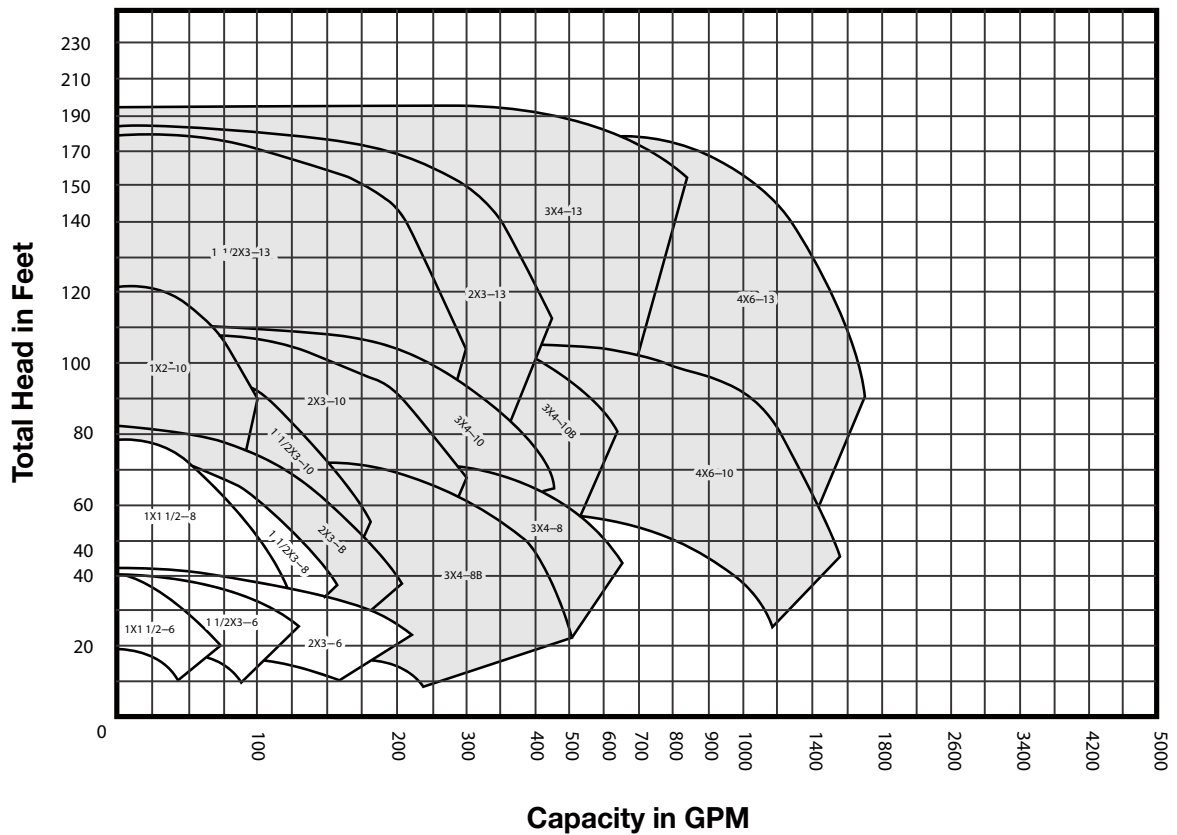
# Pump Selection Curves



## 3450 RPM Performance



## 1750 RPM Performance



# CL-CC Series

## Gusher Series CL-CC General Service Industrial Pumps

Design Features for a Wide Range of Industrial Services

### NEMA JPM Shaft Motor

Commercially available motors eliminate need to stock "special" motors. Available in open drip-proof, total enclosed fan cooled and explosion-proof.

### Close-Coupled

Design eliminates need to perform time consuming pump/motor alignment.



### Single Inside Mechanical Seal

Elastomeric bellows seal making it simple to install, easy to maintain.



## **Renewable Shaft Sleeve**

Stainless steel shaft sleeve protects motor shaft from corrosion.

## **Cast Impeller**

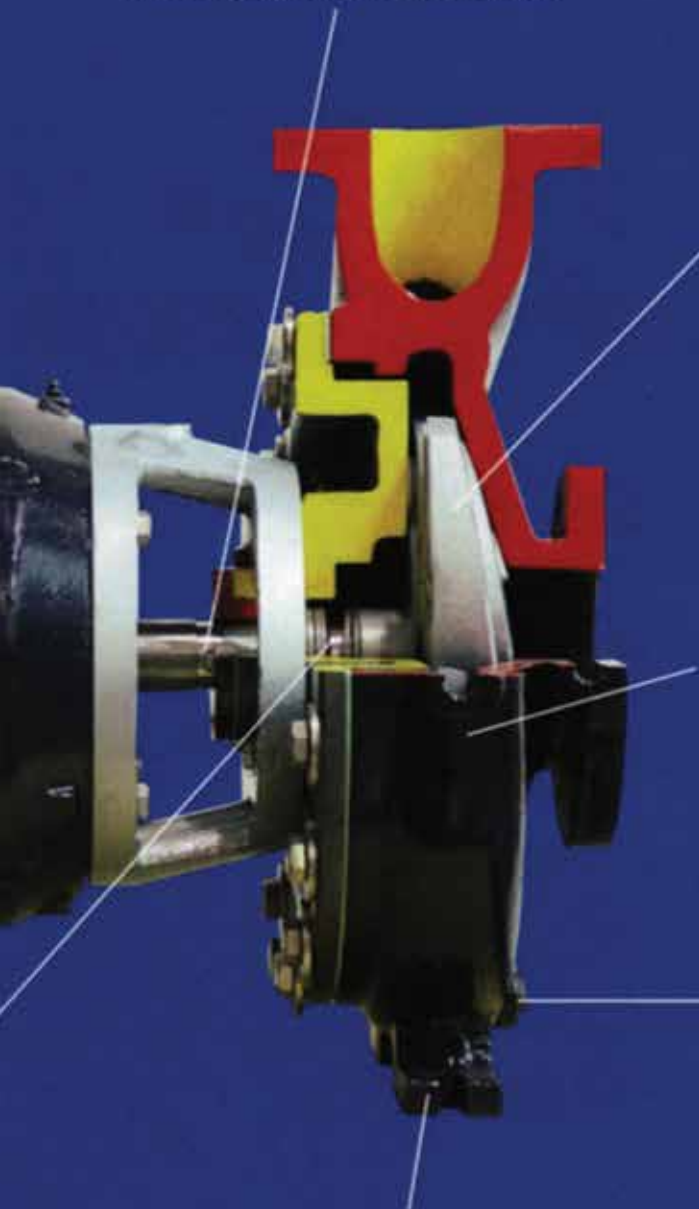
## **Industrial Duty Casing**

Cast with generous wall sections, provides extended pump life on corrosive/erosive service. ANSI dimensional for ease of installation. ANSI Class 150 flanges are standard.

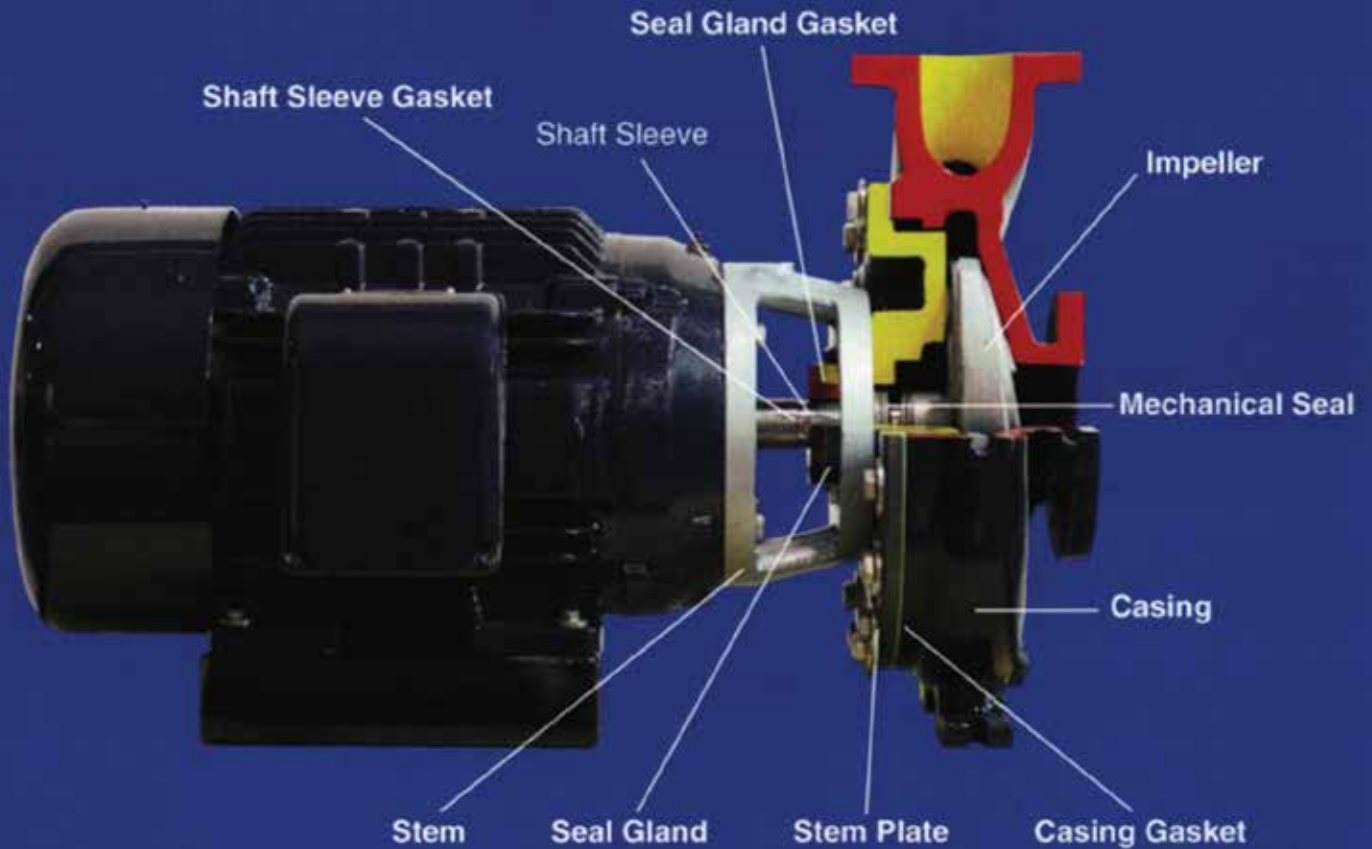
## **Casing Drain**

## **Rigid Casing Feet**

Reduces effect of pipe loads on pump performance. Facilitates back pull-out for ease of maintenance.



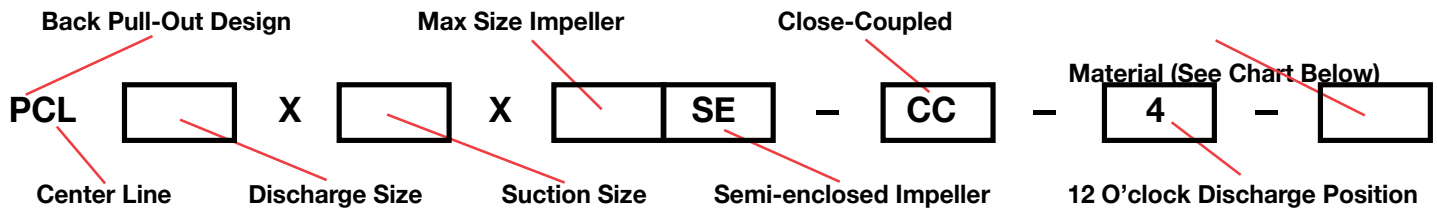
# CL-CC Series Parts List



Impeller Drive Key located between Shaft and Impeller  
 Impeller Bolt secures Impeller to Shaft

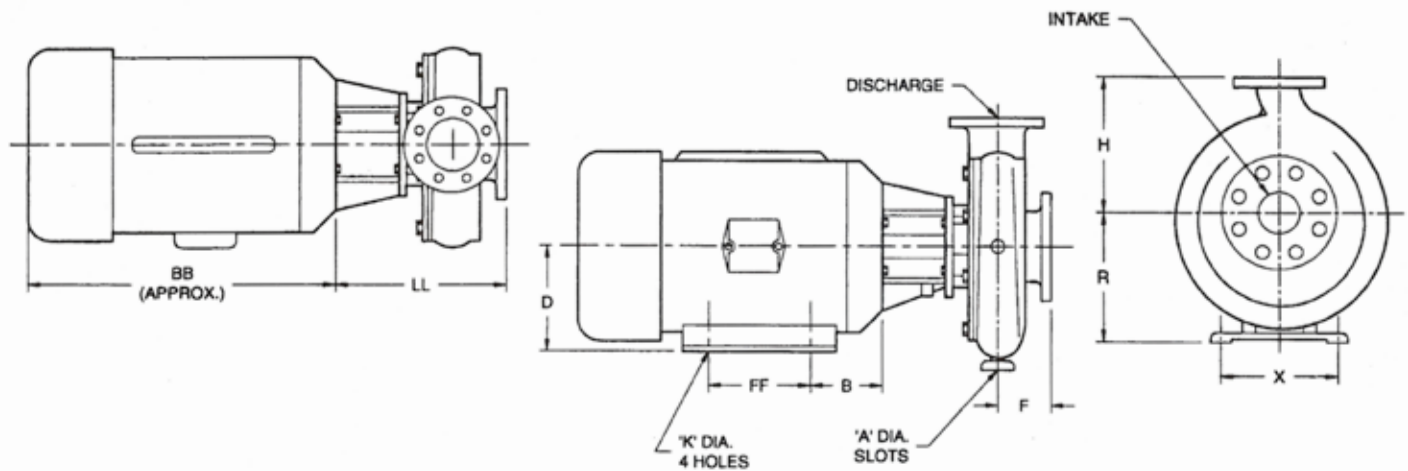
## Ordering Information

Order the Gusher CL-CC Series Pump to meet your needs by model name. The Model name should be specified as follows:



Materials of Construction		
Material Designation	Type	Description
A	All Iron	Cast Iron Construction
B	Stainless Steel	316 Stainless Steel Wetted Parts
C	Stainless Steel Fitted	316 Stainless Steel Shaft and Impeller

# Specifications



Model	H	F	X	R	LL	A	DISCH.	INTAKE
PCL-1 X 1 1/2-6SE	6.5	4	6	5.25	11.87	.62	1	1 1/2
PCL-1 X 1 1/2-8SE	6.5	4	6	5.25	11.56	.62	1	1 1/2
PCL-1 X 2-10SE	8.5	4	9.75	8.25	11.78	.62	1	2
PCL-1 1/2 X 3-6SE	6.5	4	6	5.25	11.88	.62	1 1/2	3
PCL-1 1/2 X 3-8SE	6.5	4	6	5.25	11.56	.62	1 1/2	3
PCL-1 1/2 X 3-10SE	8.5	4	9.75	8.25	11.78	.62	1 1/2	3
PCL-1 1/2 X 3-13SE	10.5	4	9.75	10	11.12	.62	1 1/2	3
PCL-2 X 3-6SE	6.5	4	6	5.25	11.25	.62	2	3
PCL-2 X 3-8SE	9.5	4	9.75	8.25	11.56	.62	2	3
PCL-2 X 3-10SE	9.5	4	9.75	8.25	11.78	.62	2	3
PCL-2 X 3-13SE	11.5	4	9.75	10	11.12	.62	2	3
PCL-3 X 4-8SE	11	4	9.75	8.25	11.56	.62	3	4
PCL3X4-8B-SE	11	4	9.75	8.25	11.56	.62	3	4
PCL-3 X 4-10-SE	11	4	9.75	8.25	11.5	.62	3	4
PCL-3 X 4-10B-SE	12.5	4	9.75	10	11.5	.62	3	4
PCL-3 X 4-13SE	12.5	4	9.75	10	11.75	.62	3	4
PCL-4 X 6-10SE	13.5	4	9.75	10	11.5	.62	4	6
PCL-4 X 6-13SE	13.5	4	9.75	10	11.75	.62	4	6
NEMA FR. SIZE	BB	D		FF	B	'K' DIA. HOLES		
143JP	10.62	3.5	-	4	2.87	.34		
145JP	11.62	3.5	-	5	2.87	.34		
182JP	12.68	4.5	-	4.5	3.5	.40		
184JP	13.68	4.5	-	5.5	3.5	.40		
213JP	15.37	5.25	-	5.5	4.5	.40		
215JP	16.87	5.25	-	7	4.5	.40		
254JP	19.5	6.25	-	8.25	4.75	.53		
256JP	21.25	6.25	-	10	4.75	.53		
284JP	21.56	7	-	9.5	4.75	.53		
286JP	23.06	7	-	11	4.75	.53		
324JP	23.93	8	-	10.5	5.25	.65		
326JP	25.43	8	-	12	5.25	.65		



A RUTHMAN COMPANY  
[www.gusher.com](http://www.gusher.com)

#### **Gusher Pumps of Dry Ridge**

22 Ruthman Drive  
Dry Ridge, KY 41035  
**Phone:** 859-824-5001  
**Fax:** 859-824-3011  
**Web:** [www.gusher.com](http://www.gusher.com)

#### **Gusher Pumps of Williamstown**

115 Industrial Drive  
Williamstown, KY 41097  
**Phone:** 859-824-3100  
**Fax:** 859-824-7248  
**Web:** [www.gusher.com](http://www.gusher.com)

#### **Gusher Pumps of California**

8226 Salt Lake Avenue  
Cudahy, CA 90201  
**Phone:** 323-773-0847  
**Fax:** 323-773-0958  
**Email:** [gusherca@aol.com](mailto:gusherca@aol.com)

#### **Gusher Pumps of New Castle**

403 North Ninth Street  
New Castle, IN 47362  
**Phone:** 765-529-5624  
**Fax:** 765-521-0008  
**Email:** [gusherpump@insightbb.com](mailto:gusherpump@insightbb.com)

#### **Additional Ruthman Company Partners:**

##### **BSM Pump Corp.**

180 Frenchtown Road  
North Kingstown, RI 02852  
**Phone:** 401-471-6350  
**Fax:** 401-471-6370  
**Web:** [www.bsmpump.com](http://www.bsmpump.com)

##### **FPI Pumps, Inc.,**

814 Hammondville Road  
Pompano Beach, FL 33060  
**Phone:** 954.946.3066  
**Fax:** 954.946.3111  
**E-Mail:** [sales@fpipumps.com](mailto:sales@fpipumps.com)

##### **Fulflo Specialties**

459 East Fancy Street  
Blanchester, Ohio 45107  
**Phone:** 937-783-2411  
**Fax:** 937-783-4983  
**Web:** [www.fulflo.com](http://www.fulflo.com)

##### **Great Lakes Pump & Supply Co.**

1075 Naughton  
Troy, MI 48083  
**Phone:** 248-528-9100  
**Fax:** 248-528-9015  
**Web:** [www.greatlakespump.com](http://www.greatlakespump.com)

## **Ruthman... Another Word for Innovation**



It began in 1912, serving the mechanical components of the steamboats on the Ohio River. The company founder, Alois Ruthman, was a man of vision and saw part of the future of the company was the development of a reliable industrial pump.

In 1924, with the conception of the first ball bearing sealless centrifugal pump, Ruthman Pump and Engineering furthered the design on a unit with a one piece motor driven shaft. The pump was named "Gusher", giving birth to the trade name Gusher Pumps, and the coining of the term "coolant pump".

Wanting to carry on the tradition of quality and reliability started by his father, Thomas R. Ruthman joined the company in 1949. In the early 1990's, Thomas R. Ruthman's son, Thomas G. Ruthman joined the company, continuing this same tradition. Maintaining the reputation of Gusher Pumps by innovation and customer service, Ruthman Companies has grown to service companies worldwide.

#### **Great Southern Pump**

4555 South St.  
Titusville, FL 32780  
**Phone:** (321) 607-3730  
**Email:** [sthurrott@greatsouthernpump.com](mailto:sthurrott@greatsouthernpump.com)  
**Web:** [www.greatsouthernpump.com](http://www.greatsouthernpump.com)

#### **Nagle Pumps**

1249 Center Avenue  
Chicago Heights, IL 60411  
**Phone:** 708-754-2940  
**Fax:** 708-754-2944  
**Web:** [www.naglepumps.com](http://www.naglepumps.com)

#### **Process Systems, Inc. Michigan, Main Headquarters**

23633 Pinewood  
Warren, MI 48091  
**Phone:** 586-757-5711  
**Fax:** 586-758-6996  
**Web:** [www.INFO@psi4pumps.com](http://www.INFO@psi4pumps.com)

#### **Process Systems, Inc. Midwest Service Center**

485 N State Route 341 South  
Mellott, IN 47958  
**Phone:** 765-295-2206  
**Fax:** 765-295-2243  
**Web:** [www.process-systems-inc.com](http://www.process-systems-inc.com)

#### **Ruthman Pump Repair & Service**

1212 Streg Street  
Cincinnati Ohio 45223  
**MOBILE:** 513-818-5345  
**EMAIL:** [ddorton@ruthmanservice.com](mailto:ddorton@ruthmanservice.com)  
**WEB:** [www.ruthmanservice.com](http://www.ruthmanservice.com)

#### **Vulcan Tool Corporation**

730 Lorain Avenue  
Dayton Ohio 45410  
**Phone:** 937-252-1025  
**Fax:** 937-252-1062  
**Web:** [www.vulcancut.com](http://www.vulcancut.com)

#### **Wagner Process Equipment**

3727 Metro Drive, Suite B  
Stockton, CA 95215  
**Phone:** 209-931-0100...510-786-3929  
**Fax:** 209-931-7910...510-786-3722  
**Web:** [www.wagnerprocess.com](http://www.wagnerprocess.com)

#### **Ruthman Companies Worldwide:**

##### **Ruthmann Pumpen und Filter**

Thomas Edison - Str. 11  
D-52499 Baesweiler  
**TEL:** +49-(0) 2401 80489-17  
**FAX:** +49 (0) 2401 80489-20  
**MOBIL:** +49 (0) 1523 723 0622  
**EMAIL:** [vertrieb@ruthmannpumpen.de](mailto:vertrieb@ruthmannpumpen.de)  
**WEB:** <http://www.ruthmannpumpen.de>

##### **Gusher Pumps, Shanghai**

ROOM 4012,  
Polar Star Business Plaza  
No. 913 Changlin Road,  
Shanghai, China 200443  
**Phone:** 86-021-26616611  
**FAX:** 86-021-26328038  
上海市长临路913号 北斗星广场 4012  
室 邮编:200443  
电话: 86-021-26616611  
传真: 86-021-26328038  
**Email:** [flomo@gusher.com](mailto:flomo@gusher.com)  
**China Mobile:** 13402145203  
**USA Mobile:** 513-607-4449



#### **Corporate Headquarters**

1212 Streg Street, Cincinnati, OH 45223  
**Phone:** 513-559-1901 **Fax:** 513-559-0035