

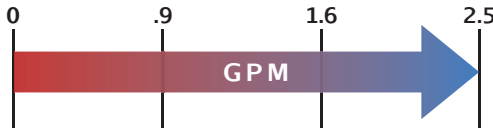


ANBPL SERIES - 3.2

Progressive Cavity Pump for Metering & Dosing



ANBPL 3.2



0-2.5
GPM

0-175
PSI

Features

- Rugged Design
- 1" NPTF
- Non-Pulsating Flow
- 316 Stainless Steel Optional
- PTFE Stators Available
- Corrosion Resistant

Materials

Rotor: Chrome Plated 316 Stainless Steel

Stator: Buna, PTFE, Viton™

Motor: 1/2, 3/4, and 1 hp

Inlet: 1" NPT

Outlet: 1" NPT

Bases: Steel and Stainless Steel

Pump Description

The ANBPL 3.2 Series is a rugged series of medium sized progressive cavity metering pumps available immediately from our inventory at Liberty process Equipment. This pump is an ideal addition to the sewage treatment industry for polymer feed systems.

This pump is rated up to 2.5 GPM and at discharge pressures up to 175 psi in our 4 range design. All Pumps are offered in cast iron or standard 316 Stainless Steel. All Pumps are offered with our standard 1" NPTF connections or optional 1" 150# RF Flanges. Stators are available in Buna Nitrile, Viton and also in PTFE Teflon for the highest standards in corrosion resistance.

The Close-Coupled ANBPL is a great alternative where space is a concern, offered in designs to accommodate 56C and 145TC Frame Motors. Liberty Process can offer a drive and control option to meet your needs and budget. From a simple, fixed speed motor to a DC or variable frequency drive controlled pump unit we can offer it. Liberty Process can offer a drive and control option to meet your needs and budget. From a simple, fixed speed motor to a DC or variable frequency drive controlled pump unit we can offer it.

Curves

[Click Links Below](#)

3-Stage
ANBPL
3.2

Drawings

[Click Links Below](#)

3-Stage
ANBPL
3.2

P: 847.640.7867 F: 847.640.7855
2525 Clearbrook Drive Arlington Heights, IL 60005

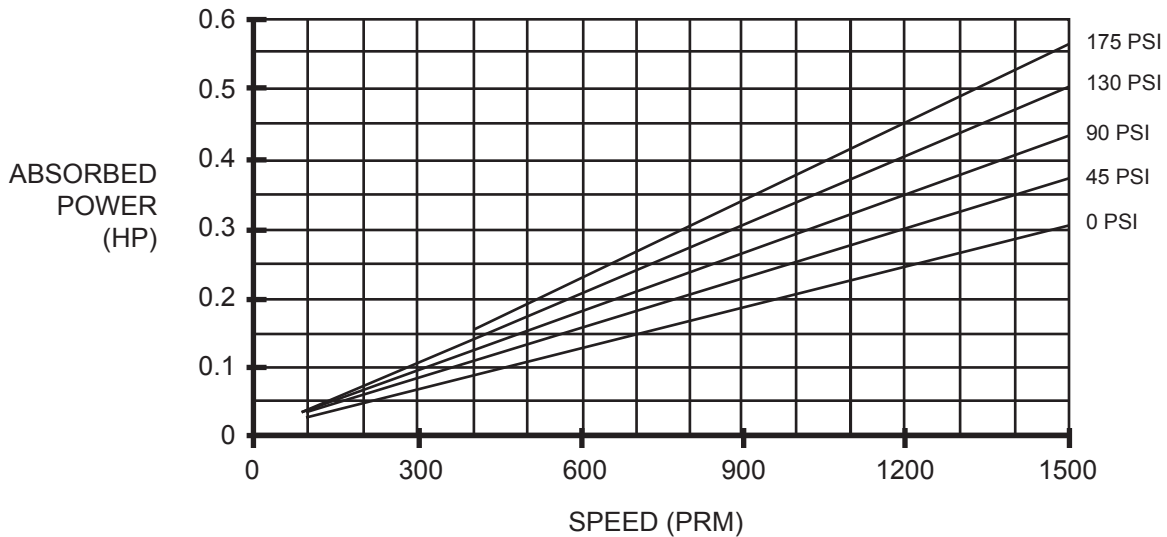
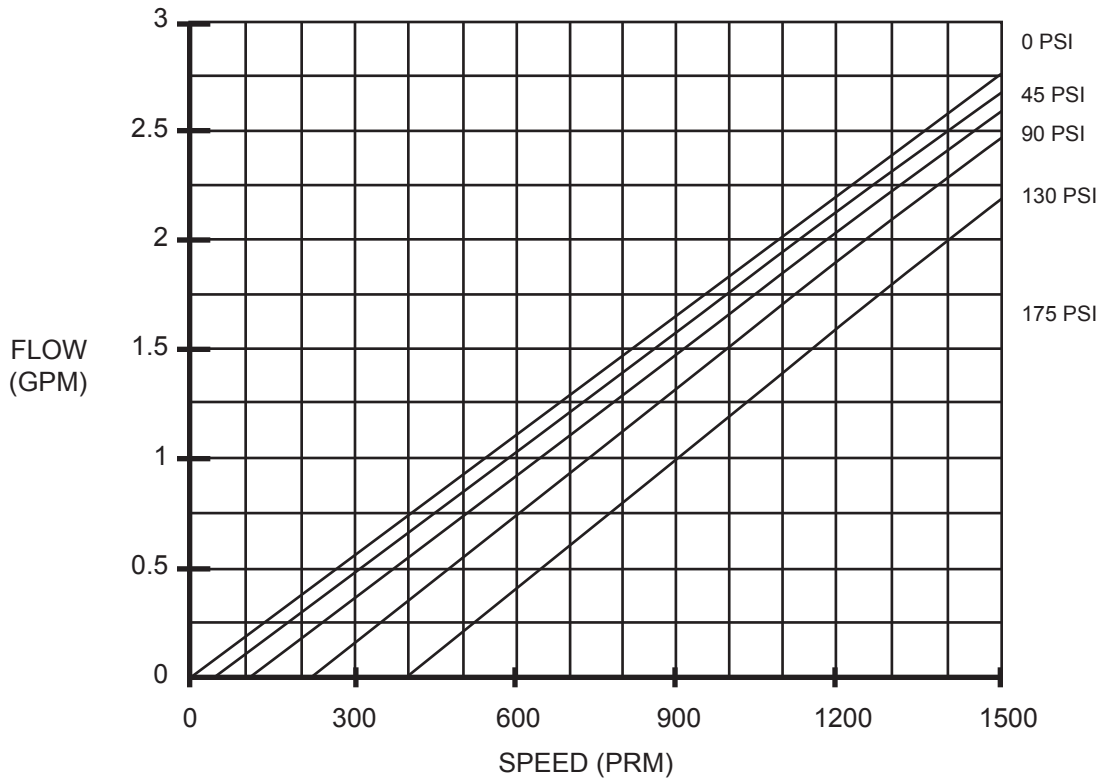
www.libertyprocess.com



ANBPL SERIES - 3.2

Progressive Cavity Pump

Performance Curves



Size: 3
Stage(s): 2
Starting Torque = 3.7 to 4.8 ft. lb
Max Pres. = 175 PSI
RPM = 0 - 1500

[BACK TO TOP](#)

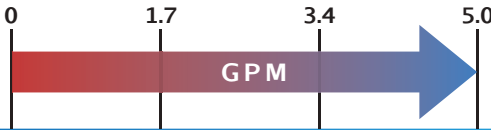


ANBPL SERIES - 6.2

Progressive Cavity Pump for Metering & Dosing



ANBPL 6.2



0-5.0
GPM

0-175
PSI

Features

- Rugged Design
- 1" NPTF
- Non-Pulsating Flow
- 316 Stainless Steel Optional
- PTFE Stators Available
- Corrosion Resistant

Materials

Rotor: Chrome Plated 316 Stainless Steel

Stator: Buna, PTFE, Viton™

Motor: 1, 2, and 3 hp

Inlet: 1" NPT

Outlet: 1" NPT

Bases: Steel and Stainless Steel

Pump Description

The ANBPL 6.2 Series is a rugged series of medium sized progressive cavity metering pumps available immediately from our inventory at Liberty process Equipment. This pump is an ideal addition to the chemical industry for measured chemical injection. This pump is rated up to 5.0 GPM and at discharge pressures up to 175 psi in our 4 range design. All Pumps are offered in cast iron or standard 316 Stainless Steel.

All Pumps are offered with our standard 1" NPTF connections or optional 1" 150# RF Flanges. Stators are available in Buna Nitrile, Viton and also in PTFE Teflon for the highest standards in corrosion resistance. The Close-Coupled ANBPL is a great alternative where space is a concern, offered in designs to accommodate 56C and 145TC Frame Motors. Liberty Process can offer a drive and control option to meet your needs and budget.

From a simple, fixed speed motor to a DC or variable frequency drive controlled pump unit we can offer it. Liberty Process can offer a drive and control option to meet your needs and budget. From a simple, fixed speed motor to a DC or variable frequency drive controlled pump unit we can offer it.

Curves

[Click Links Below](#)

3-Stage
ANBPL
6.2

Drawings

[Click Links Below](#)

3-Stage
ANBPL
6.2

P: 847.640.7867 F: 847.640.7855
2525 Clearbrook Drive Arlington Heights, IL 60005

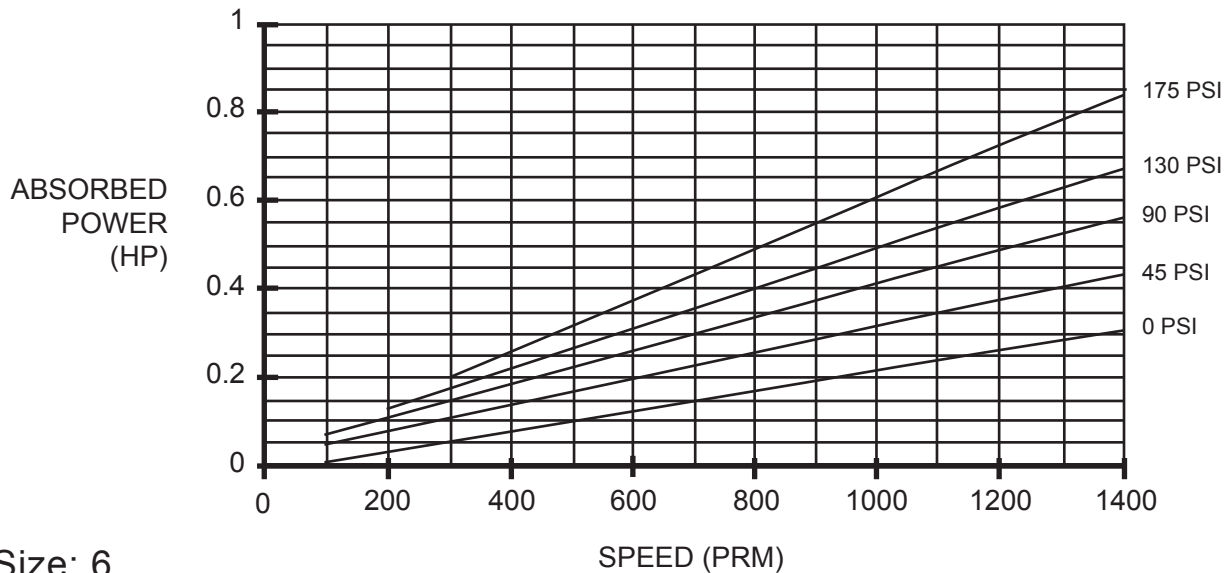
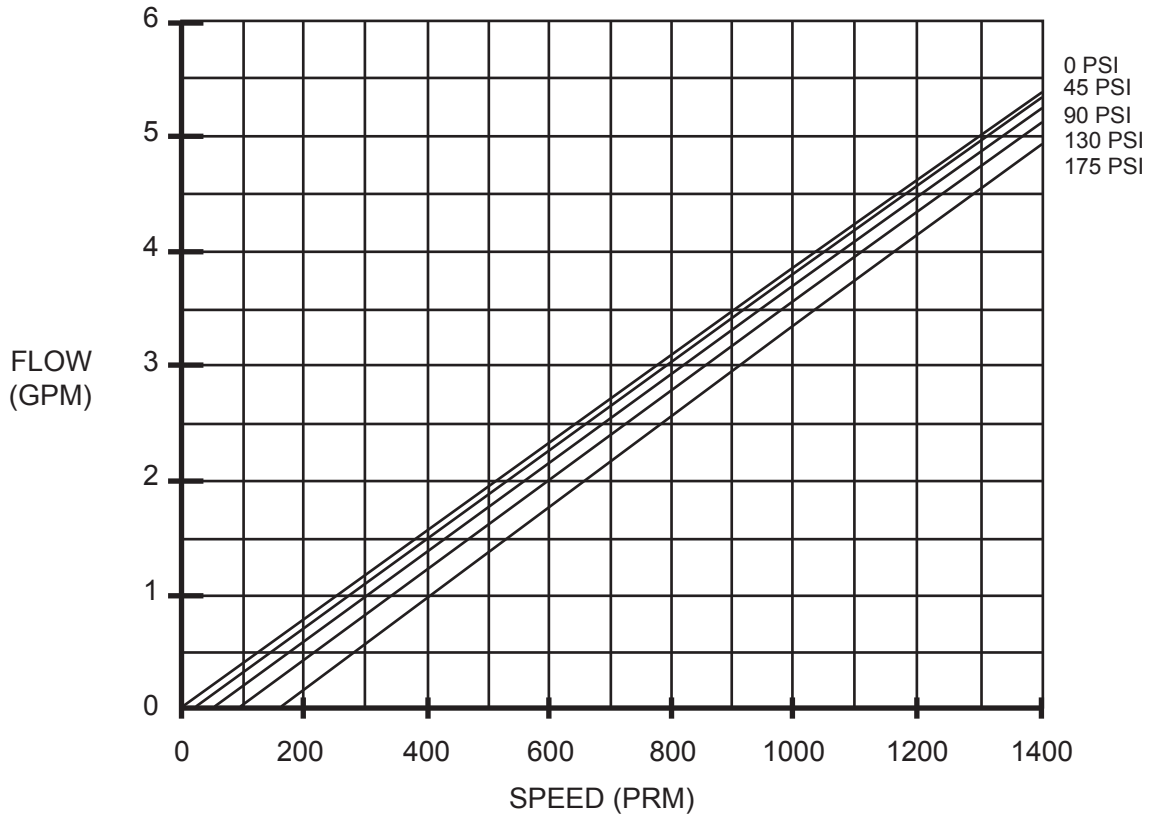
www.libertyprocess.com



ANBPL SERIES - 6.2

Progressive Cavity Pump

Performance Curves



Size: 6
Stage(s): 2
Starting Torque = 6.3 to 9.6 ft. lb
Max Pres. = 175 PSI
RPM = 0 - 1400

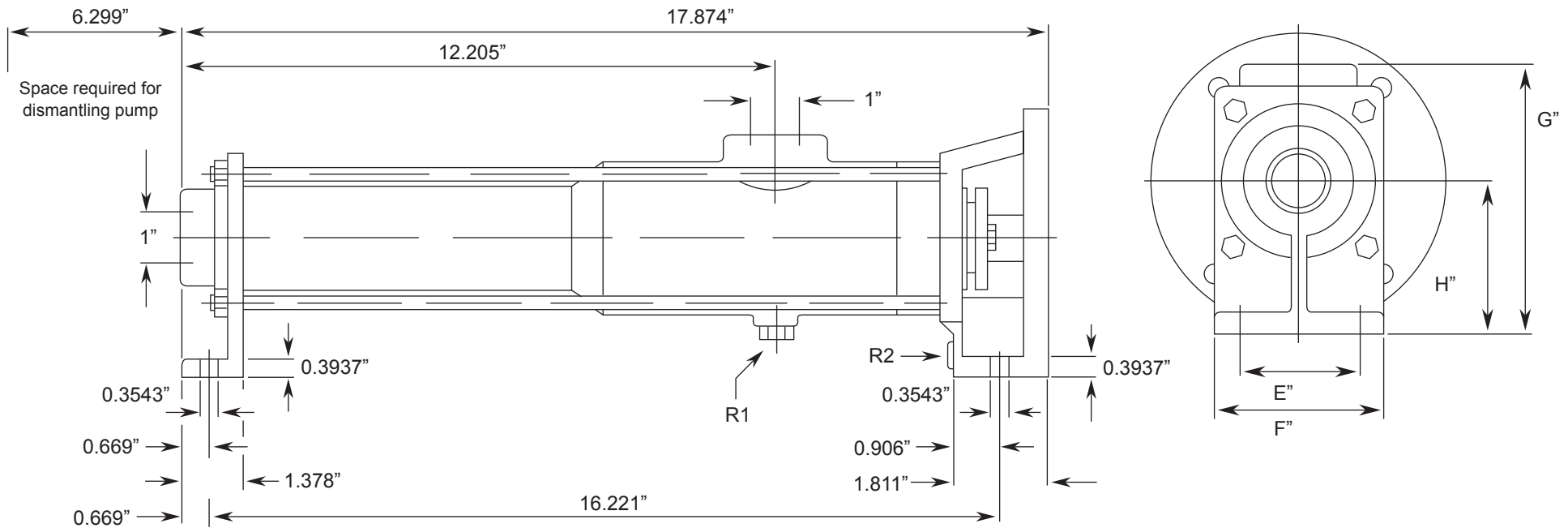
[BACK TO TOP](#)



ANBPL SERIES - ANBPL 6.2

Progressive Cavity Pump

Dimensional Drawings



[BACK TO TOP](#)

2 Stage Pump

Direction of rotation: Counterclockwise looking from the drive end is standard, in which case DN1 = delivery connection, DN2 = suction connection. Opposite direction of rotation is possible in which case DN1 = suction connection, DN2 = delivery connection.

Net weight

≈ lbs.

11.3

ALL DIMN: Inches

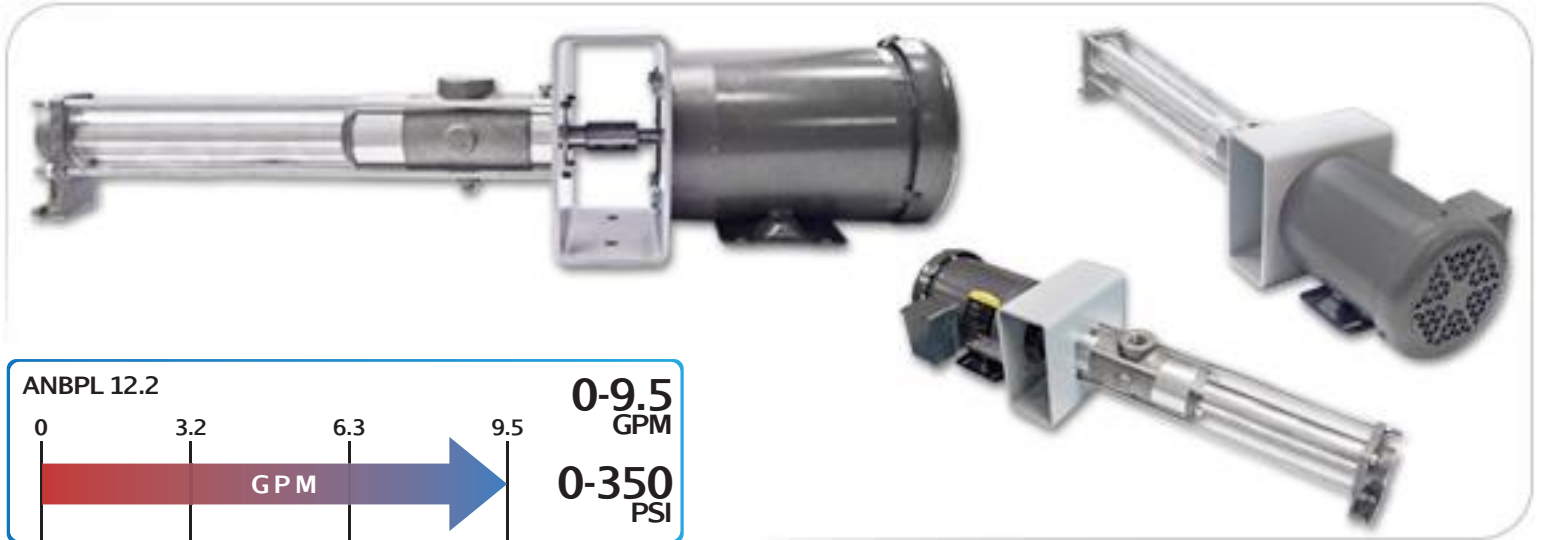
P: 847.640.7867 F: 847.640.7855
2525 Clearbrook Drive Arlington Heights, IL 60005

www.libertyprocess.com

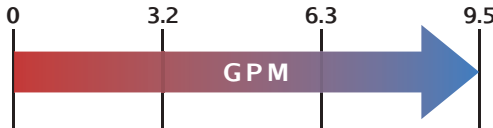


ANBPL SERIES - 12.2

Progressive Cavity Pump for Metering & Dosing



ANBPL 12.2



0-9.5
GPM

0-350
PSI

Features

- Rugged Design
- 1" NPTF
- Non-Pulsating Flow
- 316 Stainless Steel Optional
- PTFE Stators Available
- Corrosion Resistant

Materials

Rotor: Chrome Plated 316 Stainless Steel

Stator: Buna, PTFE, Viton™

Motor: 2, 3, and 5 hp

Inlet: 1" NPT

Outlet: 1" NPT

Bases: Steel and Stainless Steel

Pump Description

The ANBPL 12.2 Series is a rugged series of medium sized progressive cavity metering pumps available immediately from our inventory at Liberty Process Equipment. This pump is an ideal addition to the sewage treatment industry for polymer feed systems. This pump is rated up to 9.5 GPM and at discharge pressures up to 350 psi in our 4 range design. All Pumps are offered in cast iron or standard 316 Stainless Steel.

All Pumps are offered with our standard 1" NPTF connections or optional 1" 150# RF Flanges. Stators are available in Buna Nitrile, Viton and also in PTFE Teflon for the highest standards in corrosion resistance. The Close-Coupled ANBPL is a great alternative where space is a concern, offered in designs to accommodate 56C and 145TC Frame Motors. Liberty Process can offer a drive and control option to meet your needs and budget.

From a simple, fixed speed motor to a DC or variable frequency drive controlled pump unit we can offer it. Liberty Process can offer a drive and control option to meet your needs and budget. From a simple, fixed speed motor to a DC or variable frequency drive controlled pump unit we can offer it.

Curves

[Click Links Below](#)

3-Stage
ANBPL
12.2

Drawings

[Click Links Below](#)

3-Stage
ANBPL
12.2

P: 847.640.7867 F: 847.640.7855
2525 Clearbrook Drive Arlington Heights, IL 60005

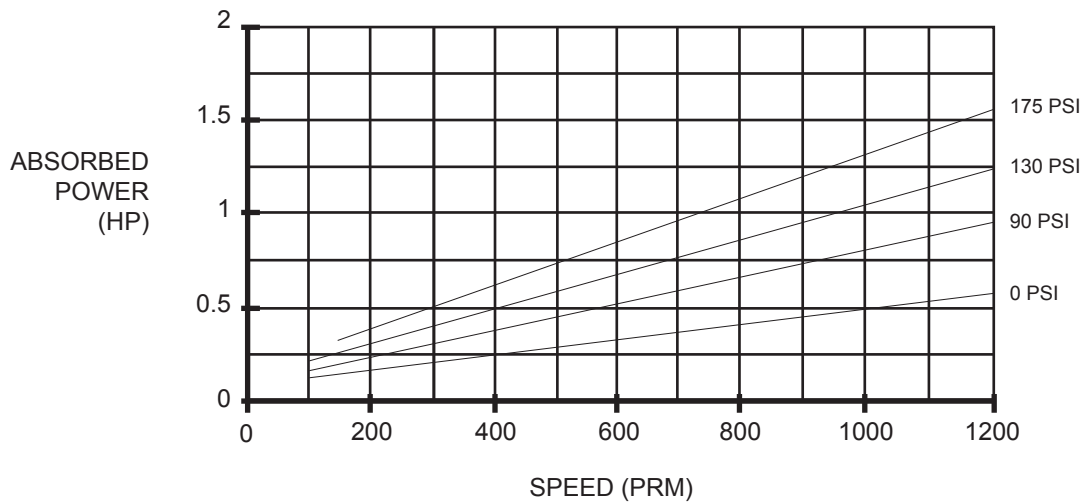
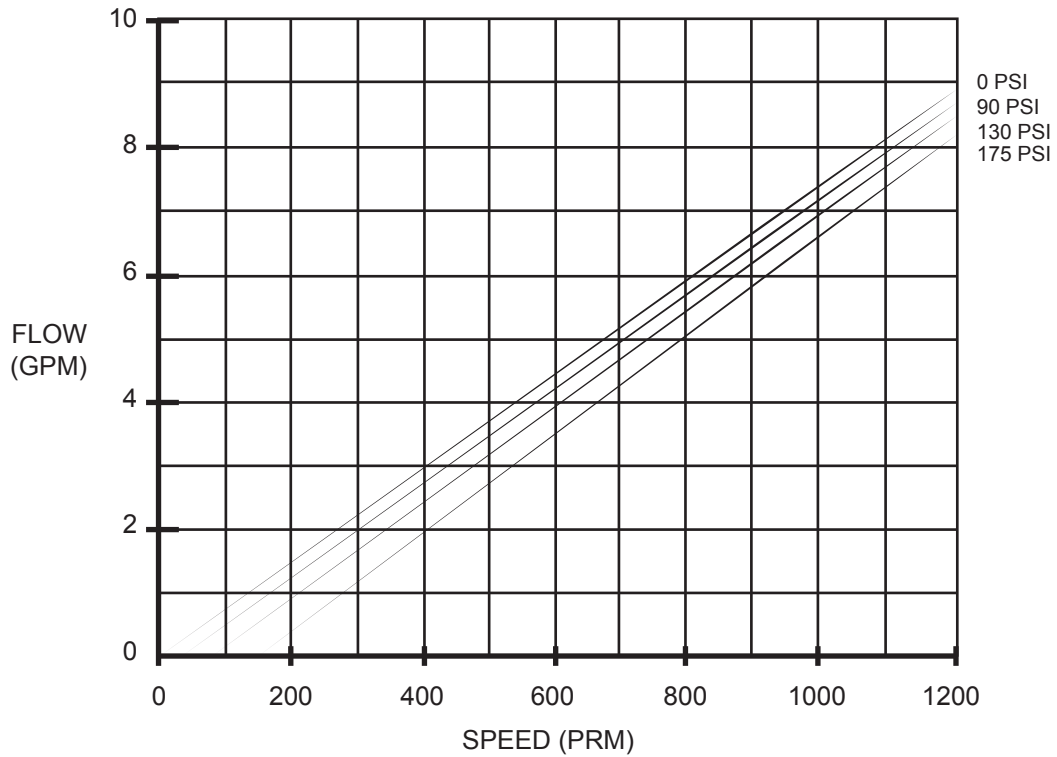
www.libertyprocess.com



ANBPL SERIES - 12.2

Progressive Cavity Pump

Performance Curves



Size: 12

Stage(s): 2

Starting Torque = 12.5 to 18.4 ft. lb

Max Pres. = 175 PSI

RPM = 0 - 1200

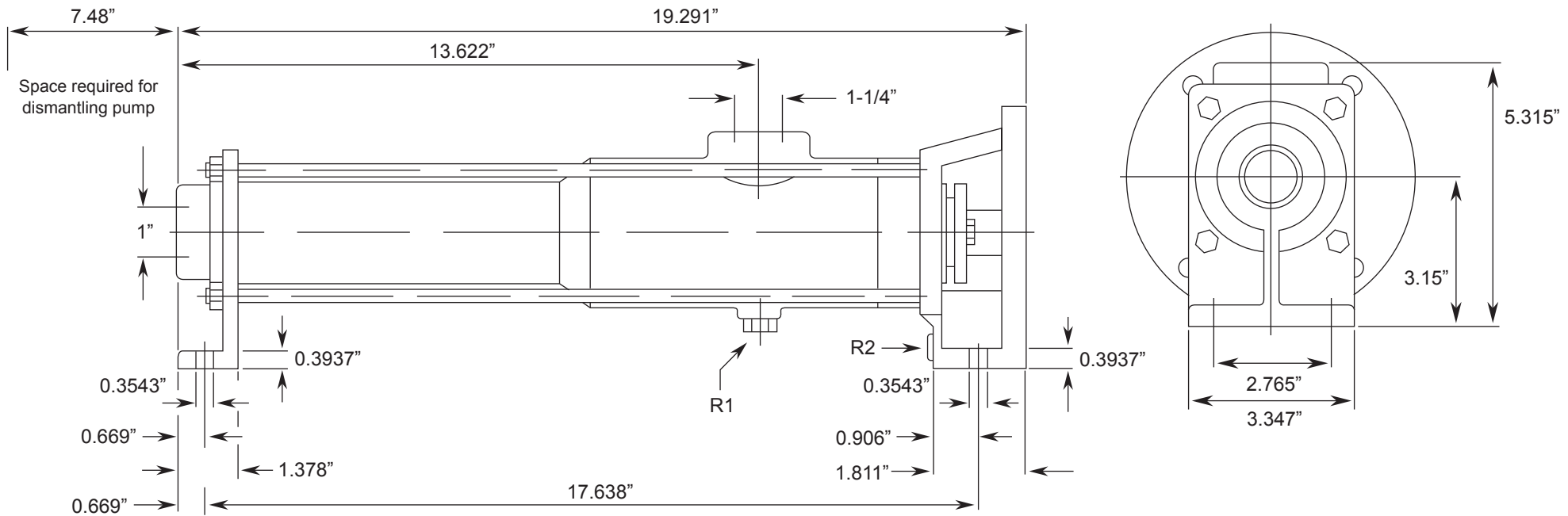
[BACK TO TOP](#)



ANBPL SERIES - ANBPL 12.2

Progressive Cavity Pump

Dimensional Drawings



BACK TO TOP

2 Stage Pump

Direction of rotation: Counterclockwise looking from the drive end is standard, in which case DN1 = delivery connection, DN2 = suction connection. Opposite direction of rotation is possible in which case DN1 = suction connection, DN2 = delivery connection.

Net weight

≈ lbs.

11.6

ALL DIMN: Inches

P: 847.640.7867 F: 847.640.7855
2525 Clearbrook Drive Arlington Heights, IL 60005

www.libertyprocess.com