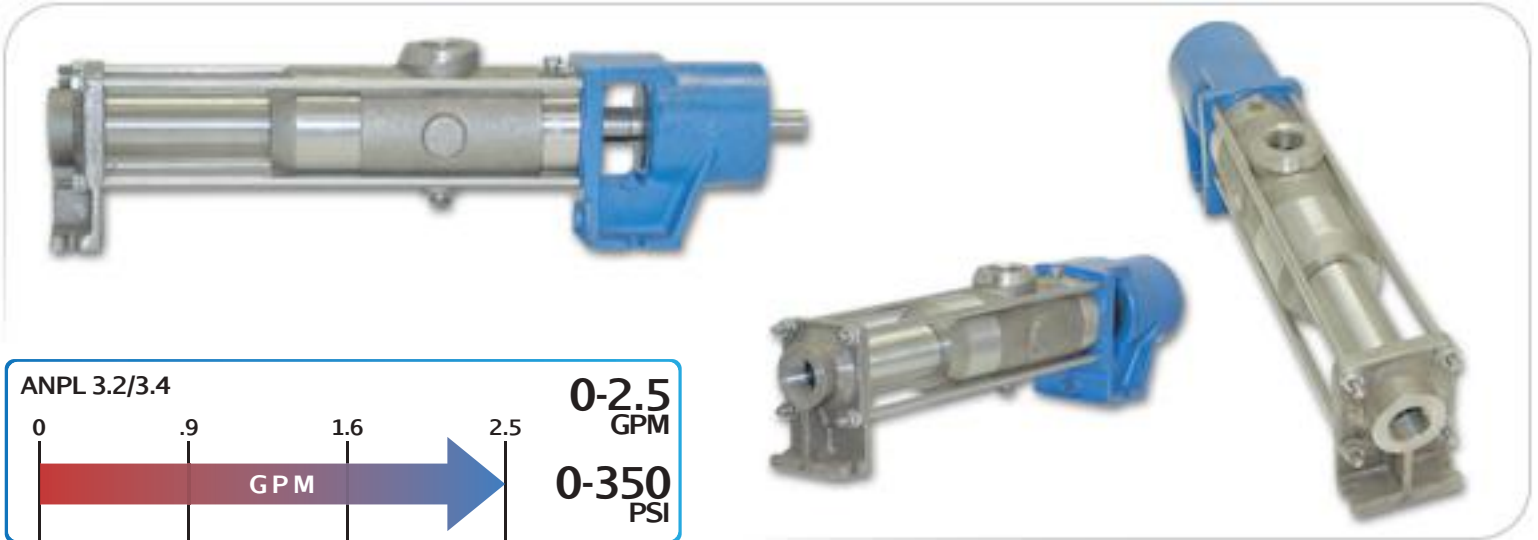


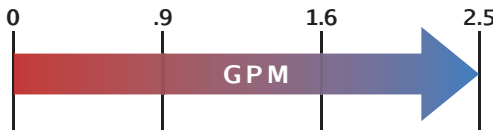


ANPL SERIES - 3.2

Progressive Cavity Pump for Metering & Dosing



ANPL 3.2/3.4



0-2.5
GPM

0-350
PSI

Features

- Rugged Design
- 1" NPTF
- Non-Pulsating Flow
- 316 Stainless Steel Optional
- PTFE Stators Available
- Corrosion Resistant

Materials

Rotor: Chrome Plated 316 Stainless Steel

Stator: Buna, PTFE, Viton™

Motor: 3/4, 1, and 2 hp

Inlet: 1" NPT

Outlet: 1" NPT

Bases: Steel and Stainless Steel

Pump Description

The ANPL 3.2 & 3.4 Series is a rugged series of medium sized progressive cavity metering pumps available immediately from our inventory at Liberty Process Equipment. This pump is an ideal addition to the sewage treatment industry for chemical injection systems.

The ANPL 3.2 & 3.4 Series of Progressive Cavity Metering Pump is rated up to 2.4 GPM and at discharge pressures up to 350 psi in our 4 range design. The ANPL Pump is offered in cast iron or standard 316 Stainless Steel. The ANPL Pumps are offered with our standard 1" NPTF connections or optional 1" 150# RF Flanges. Stators are available in Buna Nitrile, Viton and also in PTFE Teflon for the highest standards in corrosion resistance.

Liberty Process can offer a drive and control option to meet your needs and budget. From a simple, fixed speed motor to a DC or variable frequency drive controlled pump unit we can offer it.

Curves

[Click Links Below](#)

3-Stage
ANPL
3.2

Drawings

[Click Links Below](#)

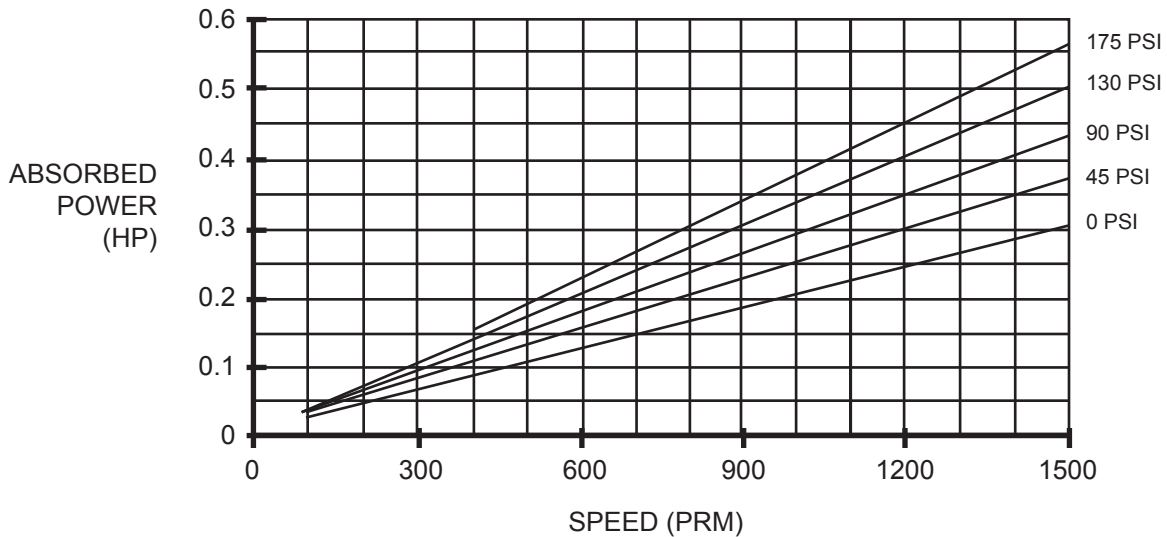
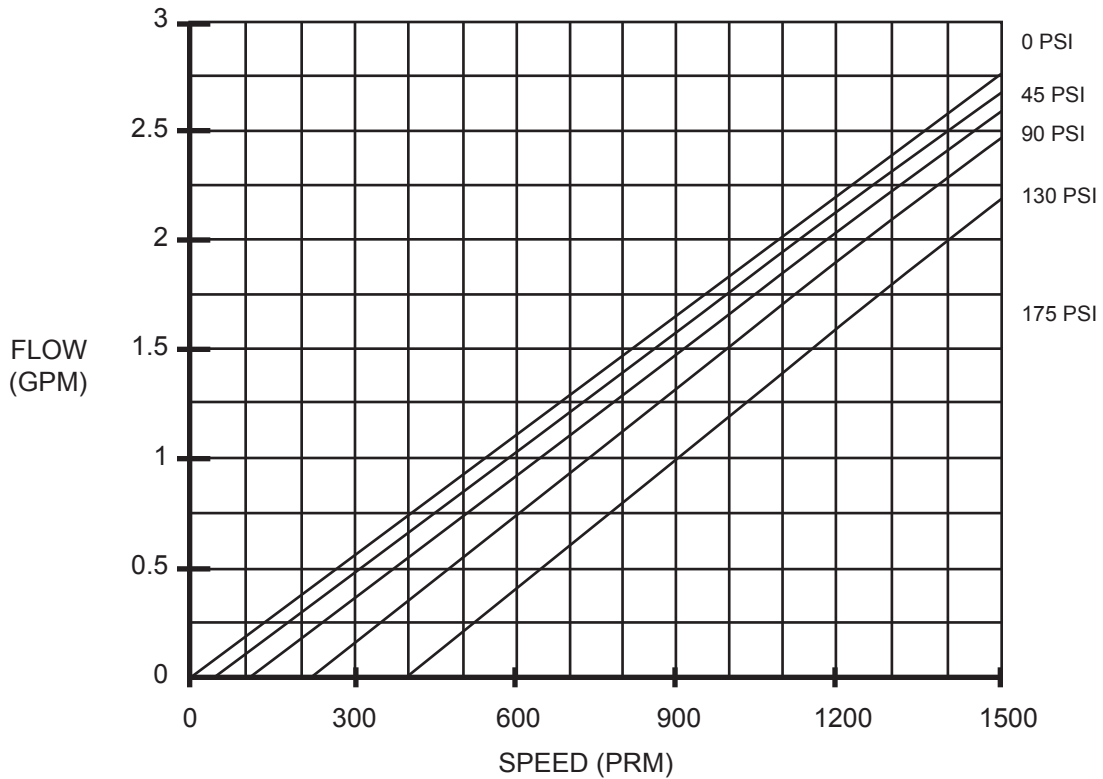
3-Stage
ANPL
3.2



ANPL SERIES - 3.2

Progressive Cavity Pump

Performance Curves



Size: 3

Stage(s): 2

Starting Torque = 3.7 to 4.8 ft. lb

Max Pres. = 175 PSI

RPM = 0 - 1500

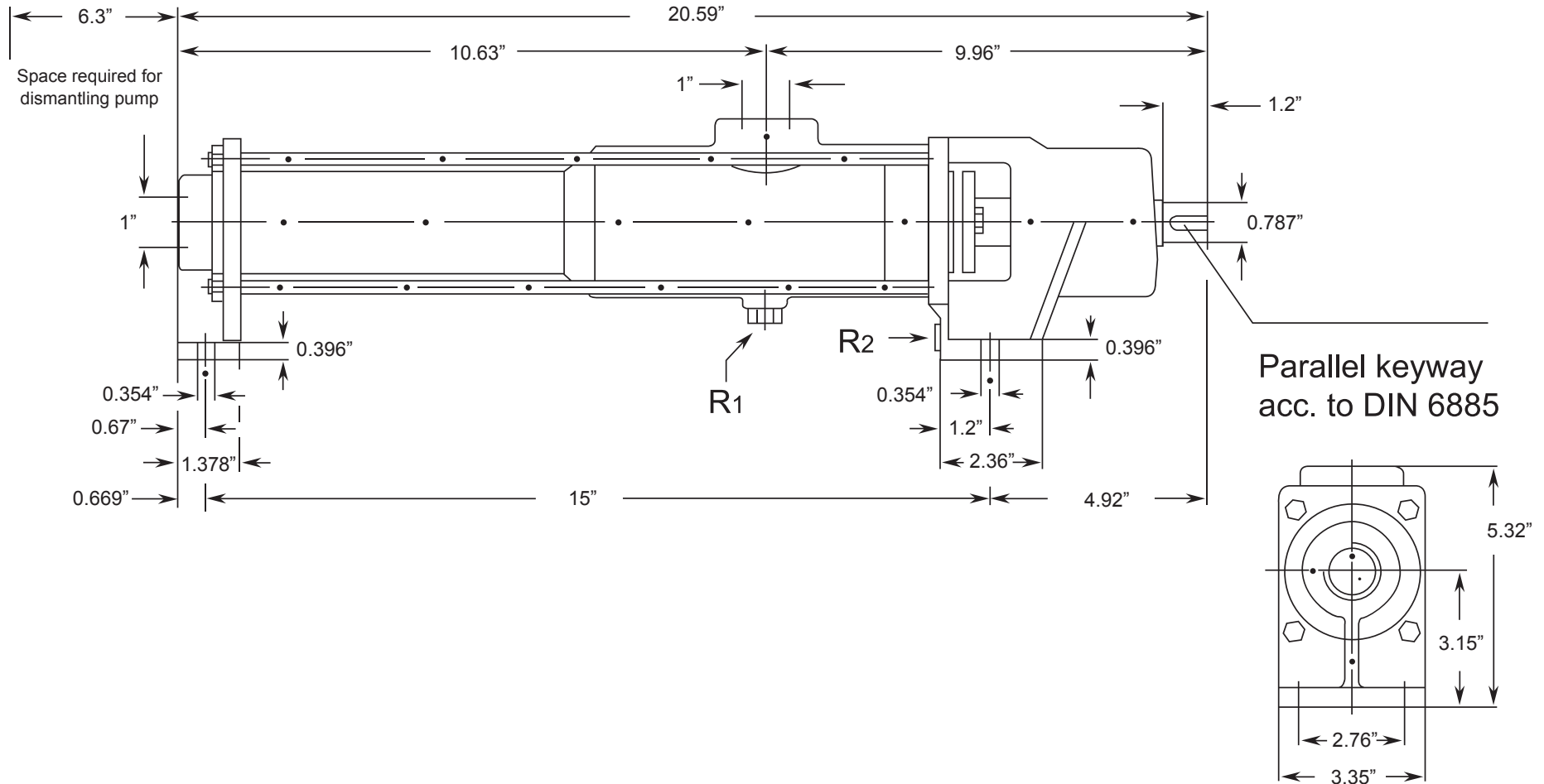
[BACK TO TOP](#)



ANPL SERIES - ANPL 3.2

Progressive Cavity Pump

Dimensional Drawings



Parallel keyway
acc. to DIN 6885

BACK TO TOP

2 Stage Pump

Net weight

≈ lbs.

24.25

ALL DIMN: Inches

P: 847.640.7867 F: 847.640.7855
2525 Clearbrook Drive Arlington Heights, IL 60005

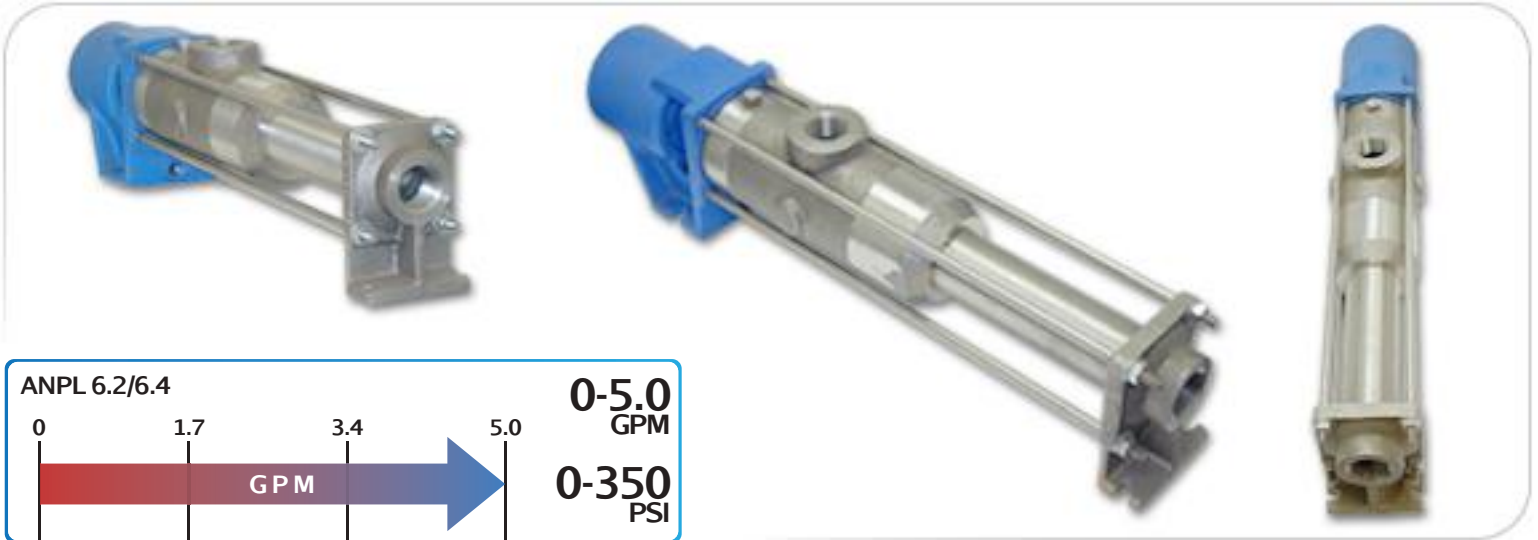
Direction of rotation: Counterclockwise looking from the drive end is standard, in which case DN1 = delivery connection, DN2 = suction connection. Opposite direction of rotation is possible in which case DN1 = suction connection, DN2 = delivery connection.

www.libertyprocess.com



ANPL SERIES - 6.2

Progressive Cavity Pump for Metering & Dosing



ANPL 6.2/6.4



0-5.0
GPM

0-350
PSI

Features

- Rugged Design
- 1" NPTF
- Non-Pulsating Flow
- 316 Stainless Steel Optional
- PTFE Stators Available
- Corrosion Resistant

Materials

Rotor: Chrome Plated 316 Stainless Steel

Stator: Buna, PTFE, Viton™

Motor: 1, 2, and 3 hp

Inlet: 1" NPT

Outlet: 1" NPT

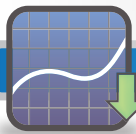
Bases: Steel and Stainless Steel

Pump Description

The ANPL 6.2 & 6.4 Series is a rugged series of medium sized progressive cavity metering and dosing pumps available immediately from our inventory at Liberty Process Equipment. This pump is an ideal addition to the industrial applications for additives for lubricant systems.

The ANPL 6.2 & 6.4 Series of Progressive Cavity Metering Pump is rated up to 5.0 GPM and at discharge pressures up to 350 psi in our 4 range design. The ANPL Pump is offered in cast iron or standard 316 Stainless Steel. The ANPL Pumps are offered with our standard 1" NPTF connections or optional 1" 150# RF Flanges. Stators are available in Buna Nitrile, Viton and also in PTFE Teflon for the highest standards in corrosion resistance.

Liberty Process can offer a drive and control option to meet your needs and budget. From a simple, fixed speed motor to a DC or variable frequency drive controlled pump unit we can offer it.



Curves

[Click Links Below](#)

3-Stage
ANPL
6.2



Drawings

[Click Links Below](#)

3-Stage
ANPL
6.2

P: 847.640.7867 F: 847.640.7855
2525 Clearbrook Drive Arlington Heights, IL 60005

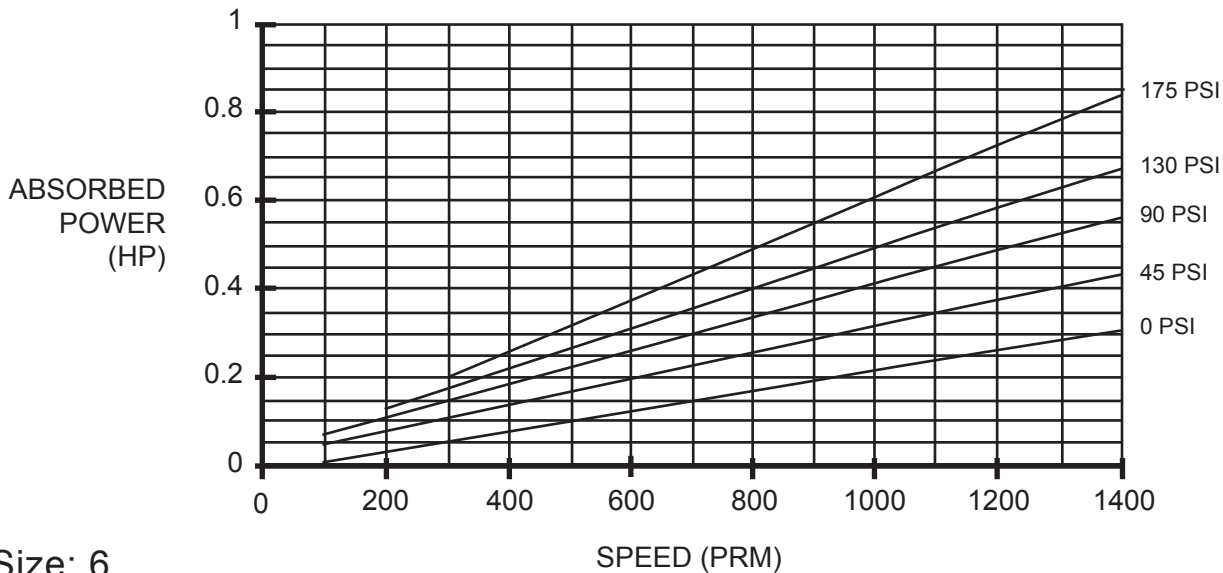
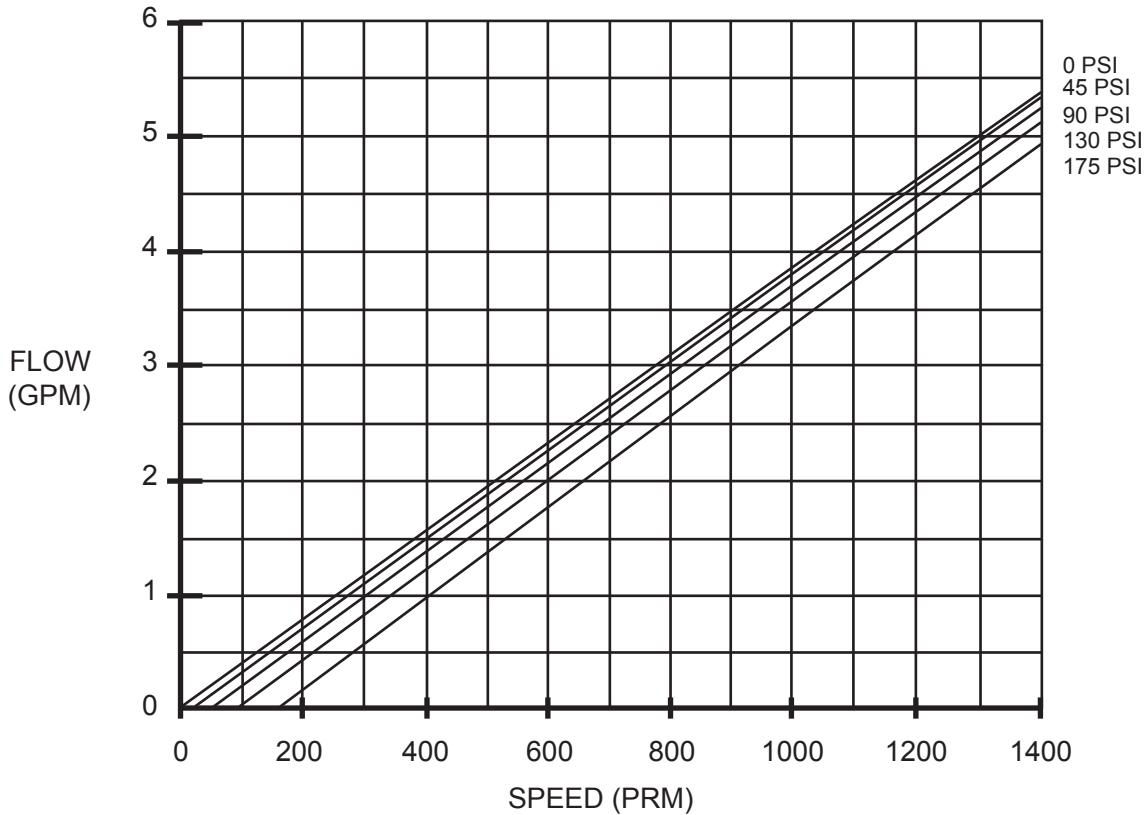
www.libertyprocess.com



ANPL SERIES - 6.2

Progressive Cavity Pump

Performance Curves



Size: 6
 Stage(s): 2
 Starting Torque = 6.3 to 9.6 ft. lb
 Max Pres. = 175 PSI
 RPM = 0 - 1400

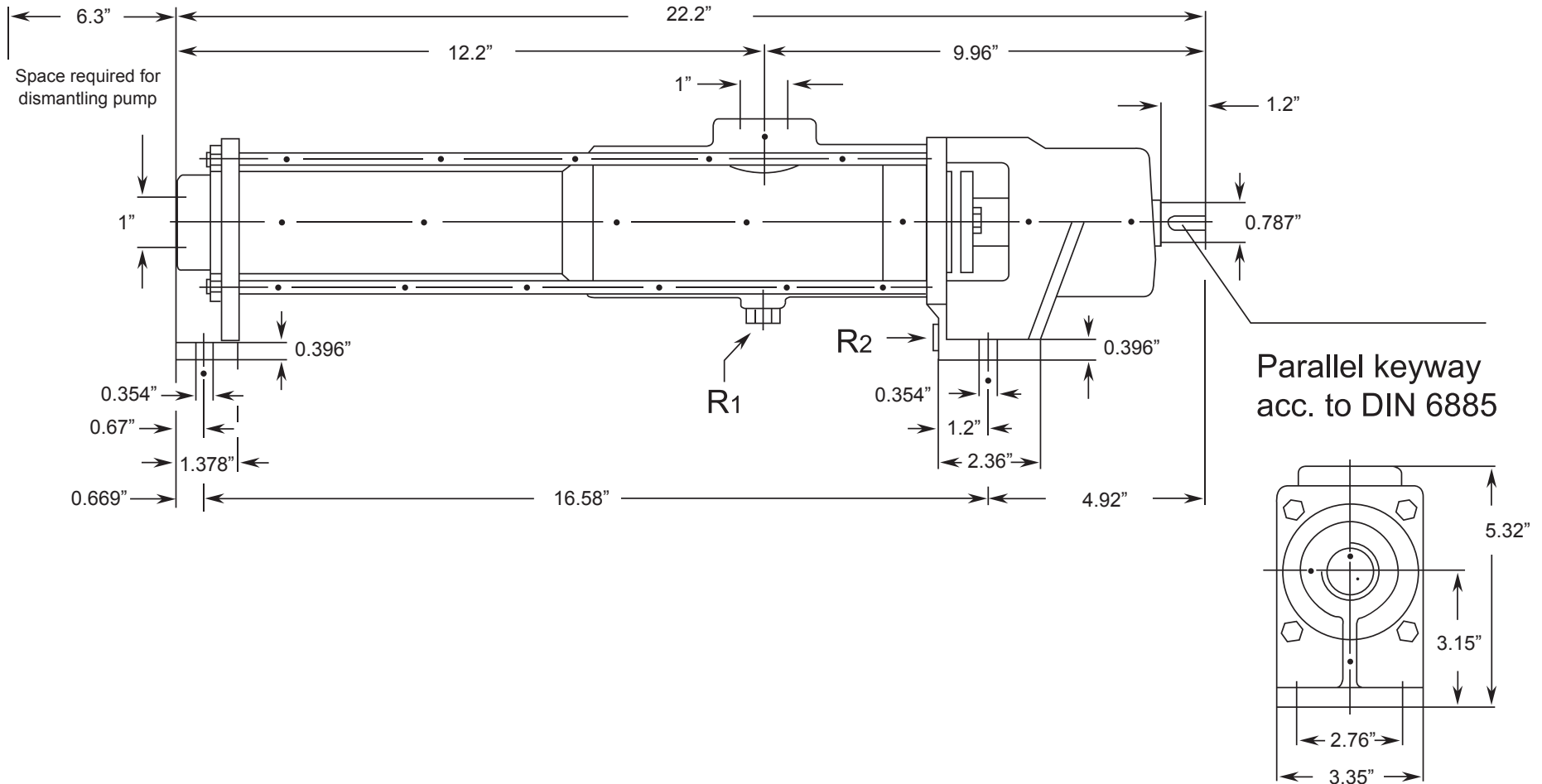
[BACK TO TOP](#)



ANPL SERIES - ANPL 6.2

Progressive Cavity Pump

Dimensional Drawings



BACK TO TOP

2 Stage Pump

Net weight

≈ lbs.

25.35

ALL DIMN: Inches

P: 847.640.7867 F: 847.640.7855
2525 Clearbrook Drive Arlington Heights, IL 60005

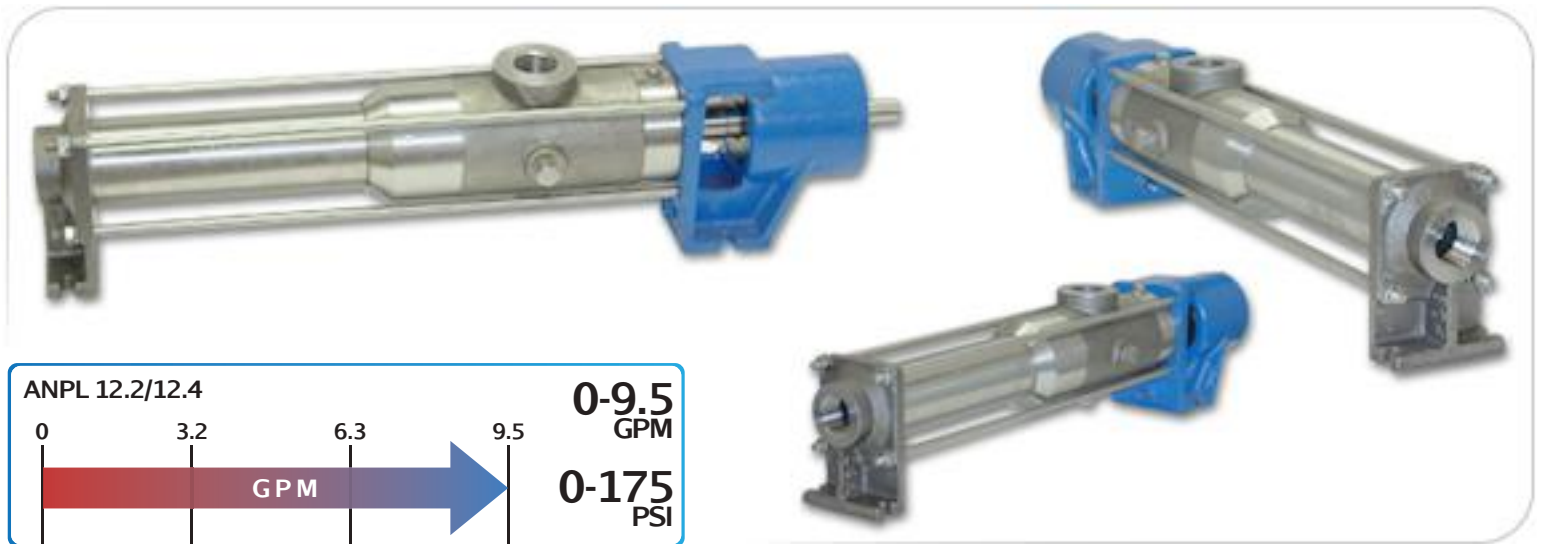
Direction of rotation: Counterclockwise looking from the drive end is standard, in which case DN1 = delivery connection, DN2 = suction connection. Opposite direction of rotation is possible in which case DN1 = suction connection, DN2 = delivery connection.

www.libertyprocess.com

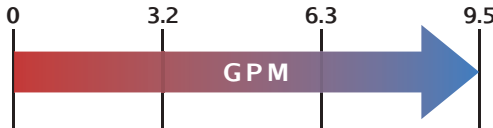


ANPL SERIES - 12.2

Progressive Cavity Pump for Metering & Dosing



ANPL 12.2/12.4



0-9.5
GPM

0-175
PSI

Features

- Rugged Design
- 1" NPTF
- Non-Pulsating Flow
- 316 Stainless Steel Optional
- PTFE Stators Available
- Corrosion Resistant

Materials

Rotor: Chrome Plated 316 Stainless Steel

Stator: Buna, PTFE, Viton™

Motor: 2, 3, and 5 hp

Inlet: 1" NPT

Outlet: 1" NPT

Bases: Steel and Stainless Steel

Pump Description

The ANPL 12.2 Series is a rugged series of medium sized progressive cavity metering pumps available immediately from our inventory at Liberty Process Equipment. This pump is an ideal addition to the carpet industry for latex metering.

The ANPL Series of Progressive Cavity Metering Pump is rated up to 9.5 GPM and at discharge pressures up to 350 psi in our 4 range design. The ANPL Pump is offered in cast iron or standard 316 Stainless Steel. The ANPL Pumps are offered with our standard 1" NPTF connections or optional 1" 150# RF Flanges. Stators are available in Buna Nitrile, Viton and also in PTFE Teflon for the highest standards in corrosion resistance.

Liberty Process can offer a drive and control option to meet your needs and budget. From a simple, fixed speed motor to a DC or variable frequency drive controlled pump unit we can offer it.



Curves

[Click Links Below](#)

3-Stage
ANPL
12.2



Drawings

[Click Links Below](#)

3-Stage
ANPL
12.2

P: 847.640.7867 F: 847.640.7855
2525 Clearbrook Drive Arlington Heights, IL 60005

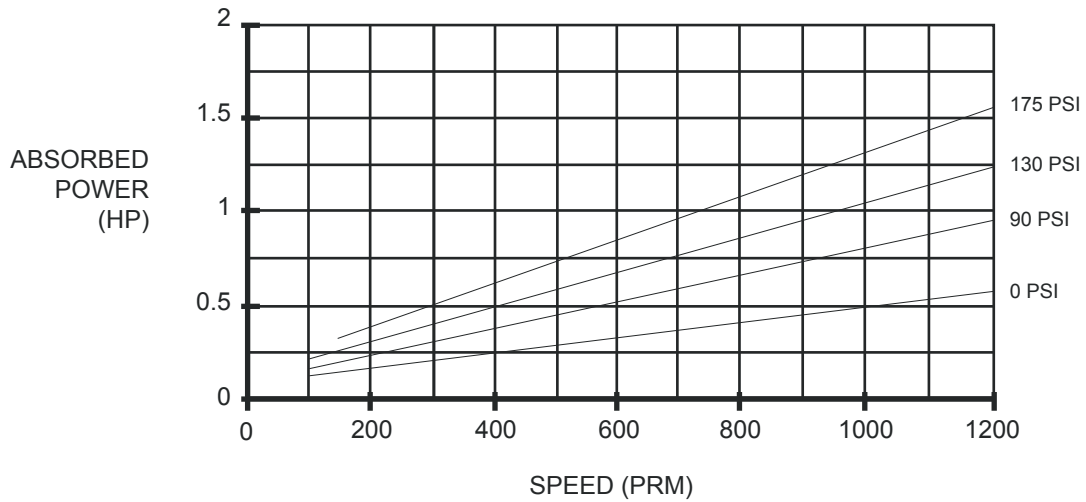
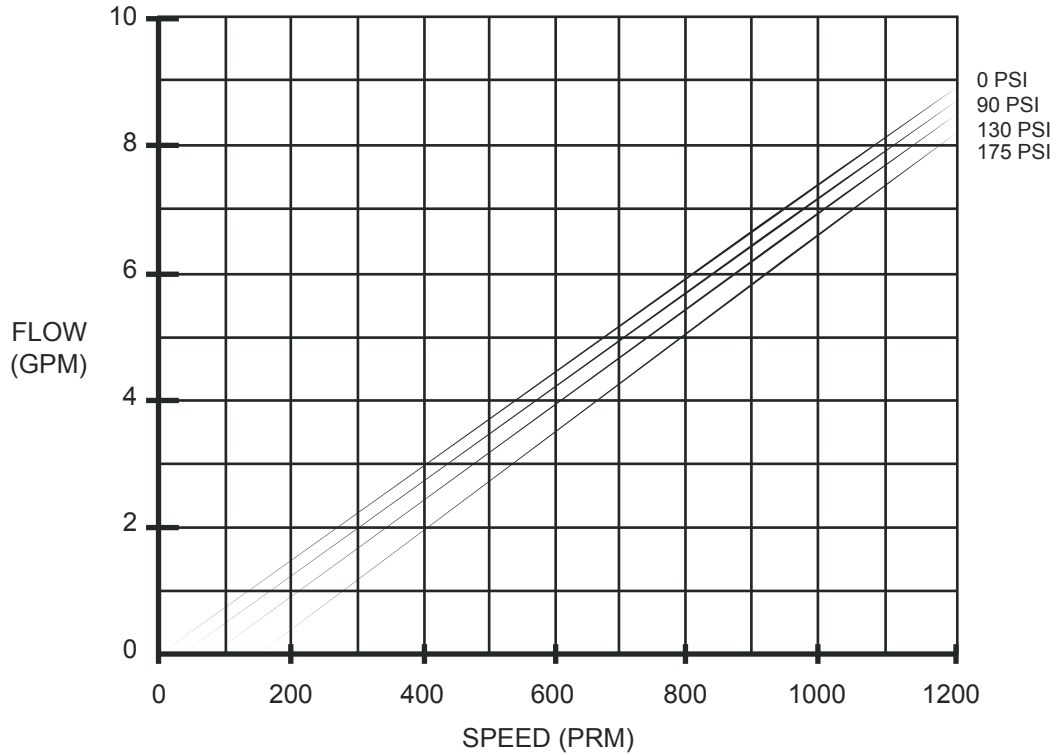
www.libertyprocess.com



ANPL SERIES - 12.2

Progressive Cavity Pump

Performance Curves



Size: 12
Stage(s): 2
Starting Torque = 12.5 to 18.4 ft. lb
Max Pres. = 175 PSI
RPM = 0 - 1200

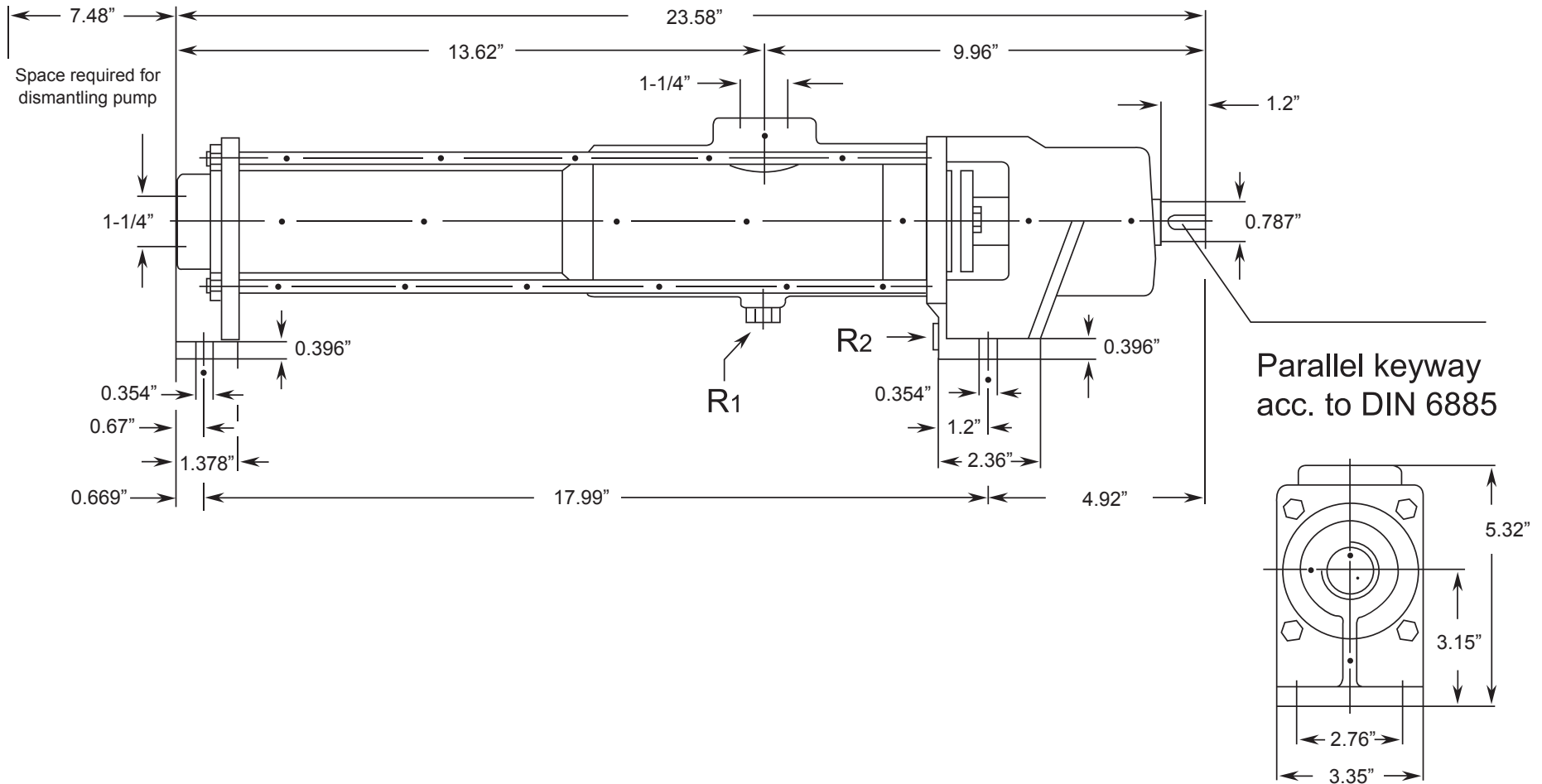
[BACK TO TOP](#)



ANPL SERIES - ANPL 12.2

Progressive Cavity Pump

Dimensional Drawings



BACK TO TOP

2 Stage Pump

Net weight

≈ lbs.

26.46

ALL DIMN: Inches

P: 847.640.7867 F: 847.640.7855
2525 Clearbrook Drive Arlington Heights, IL 60005

Direction of rotation: Counterclockwise looking from the drive end is standard, in which case DN1 = delivery connection, DN2 = suction connection. Opposite direction of rotation is possible in which case DN1 = suction connection, DN2 = delivery connection.

www.libertyprocess.com