

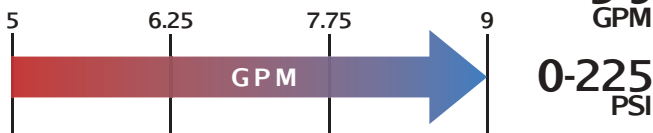


JUSTICE SERIES - LJ4

Progressive Cavity Hopper Pump



Justice LJ4



Features

- Large Hopper
- Welded Auger
- Hardened Joints
- Packing or Mechanical Seal
- 3-Stage Options
- Steel or Stainless Steel

Materials

Rotor: Tool or Stainless Steel - Chrome-Plated

Stator: Buna, Rubber, Viton™, EPDM

Motor: 1/2, 3/4, 1, 1.5, and 2 hp

Inlet: 11.75" x 7"

Outlet: 2"

Bases: Steel and Stainless Steel

Curves

[Click Links Below](#)

1-Stage
1LJ4

2-Stage
2LJ4

3-Stage
3LJ4

Drawings

[Click Links Below](#)

1-Stage
1LJ4

2-Stage
2LJ4

Pump Description

The Liberty LJ4 Justice Series Open Hopper Progressive Cavity Pump represents an ideal pumping solution for viscous solutions with high solids contents such as high-viscosity chemical transfer of liquids and sludge's at industrial facilities and other low-flowable pumping mediums. Flow rates of 2.02 GPM per 100 Revolutions (5 GPM to 9 GPM) at up to 225 PSI are standard through the range of the series. The Justice Series offers a design of a heavy-duty auger mated to a rotor and stator for the most difficult pumping applications available today.

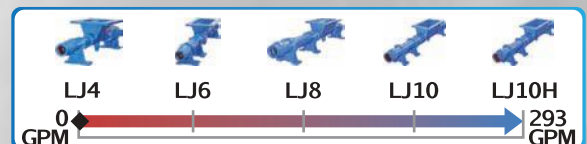
The large rectangular feed hopper design easily accommodates your pumping medium while the non-pulsating design of the product produces a low-shear flow that conveys your medium along effortlessly. Solids in suspension of up to 50% are accommodated by the Auger design.

The modular design of the LJ4 Justice Series Open Hopper Progressive Cavity pump is a hardened pinned-joint drive assembly with a body available in steel or 316 stainless steel and internal wetted components in either stainless steel or hardened tool steel with hard chrome plating for long-life and durability in abrasive pumping applications.

Rotors and Stators for the LJ4 Justice Series are available in 1, 2, and 3 stages for applications with 75, 150, and 225 PSI discharge pressures with stators available in Buna Nitrile, Viton, EPDM and Natural Rubber. The standard seal design is a set of packing with a lantern ring and flush connections. Mechanical Seal options are readily available.

The Liberty LJ4 Progressive Cavity Pump parts are direct aftermarket replacements that dimensionally interchange with the Moyno™ J4 Series, and the Tarby™ TJ4 Series.*

Contact a Liberty Process representative today!



P: 847.640.7867 F: 847.640.7855
2525 Clearbrook Drive Arlington Heights, IL 60005

www.libertyprocess.com

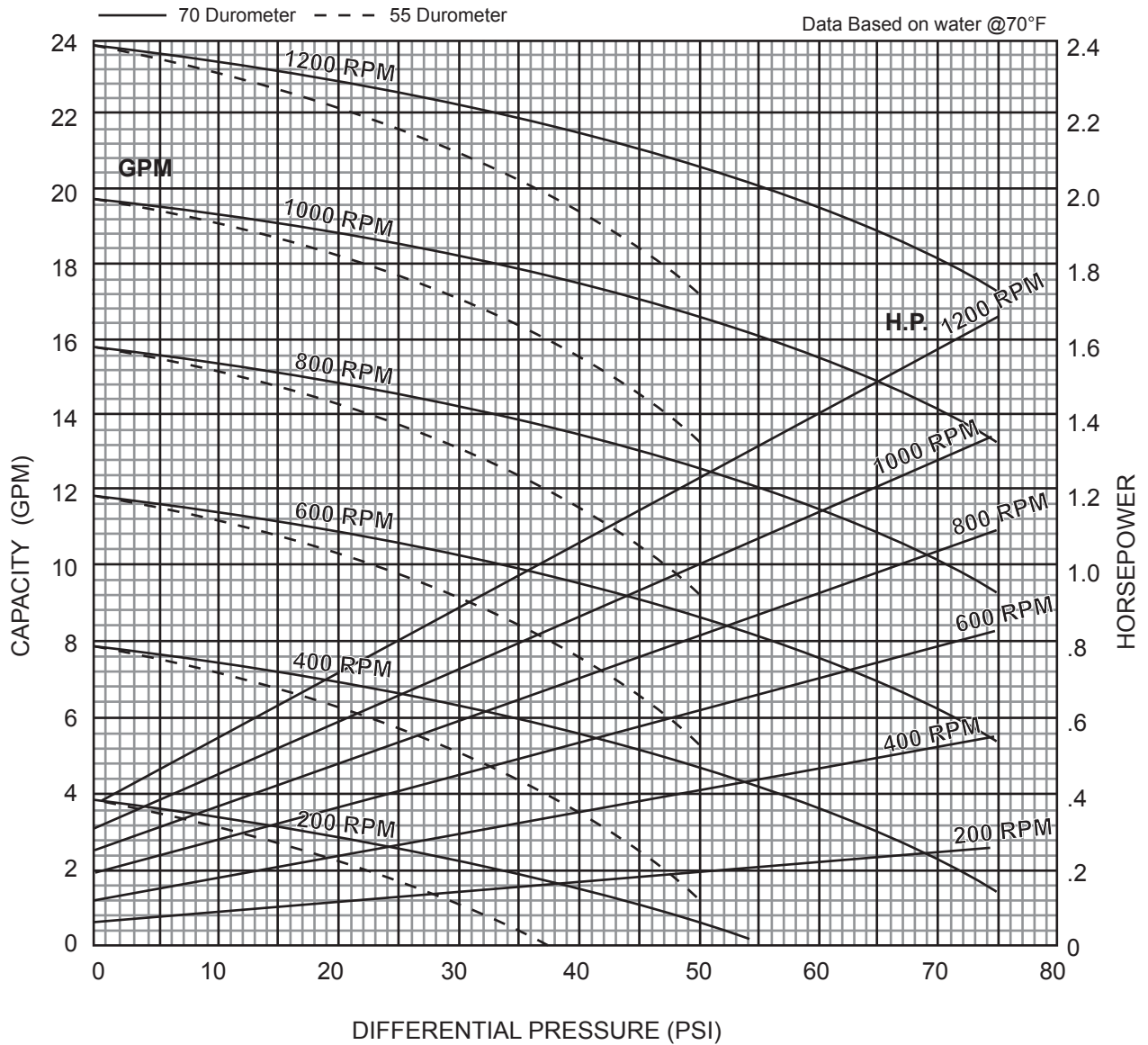


JUSTICE SERIES - 1LJ4

Progressive Cavity Pump

Performance Curves

RPM	200	400	600	800	1000	1200
NPSH REQ'D	.9	1.7	2.6	3.4	4.8	6.7
MIN. HP	1/3	1/2	1/2	3/4	1	1



1 Stage Pump

BACK TO TOP

P: 847.640.7867 F: 847.640.7855
2525 Clearbrook Drive Arlington Heights, IL 60005

www.libertyprocess.com

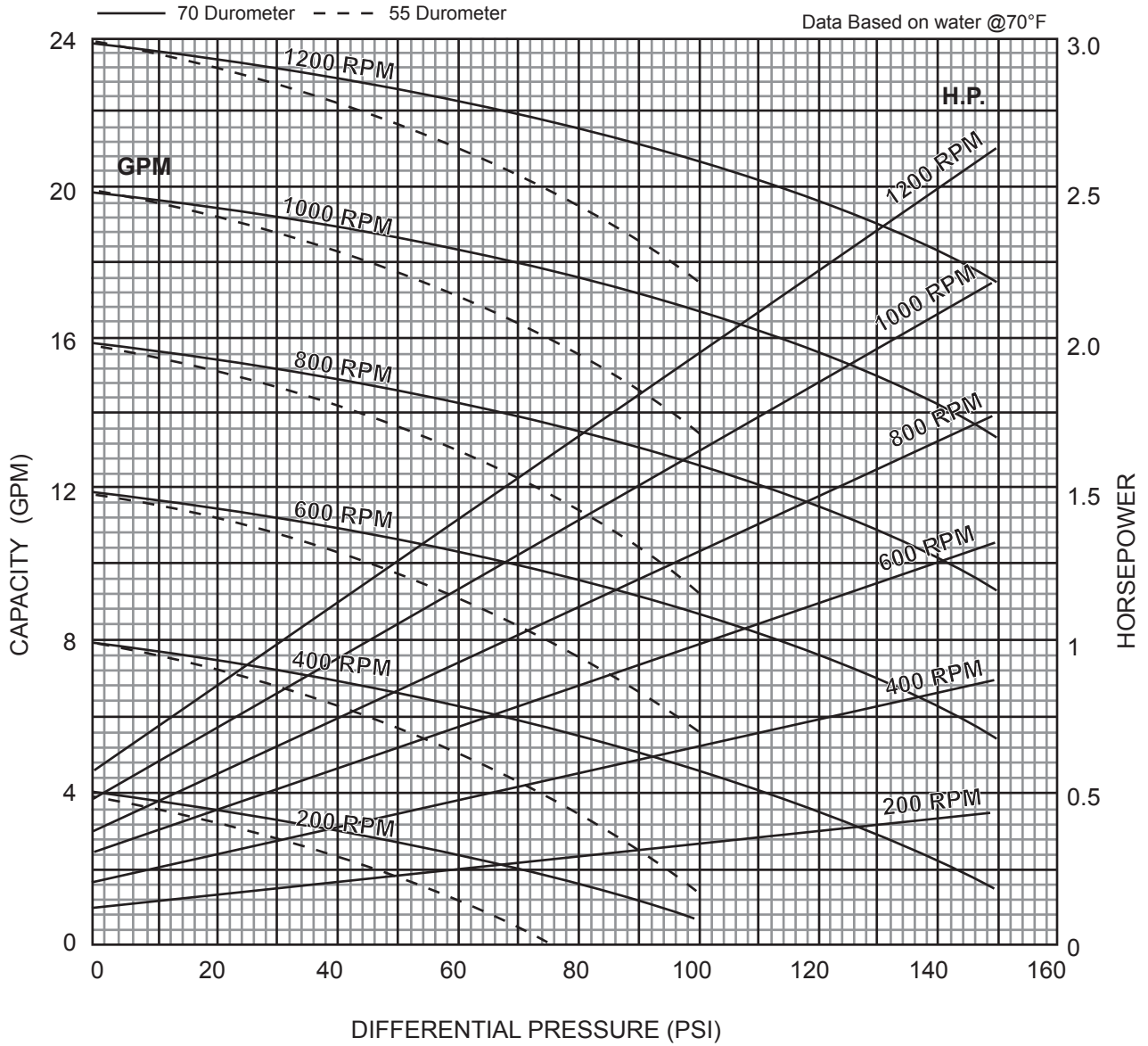


JUSTICE SERIES - 2LJ4

Progressive Cavity Pump

Performance Curves

RPM	200	400	600	800	1000	1200
NPSH REQ'D	.9	1.7	2.6	3.4	4.8	6.7
MIN. HP	1/3	1/2	3/4	1	1-1/2	1-1/2



2 Stage Pump

BACK TO TOP

P: 847.640.7867 F: 847.640.7855
2525 Clearbrook Drive Arlington Heights, IL 60005

www.libertyprocess.com

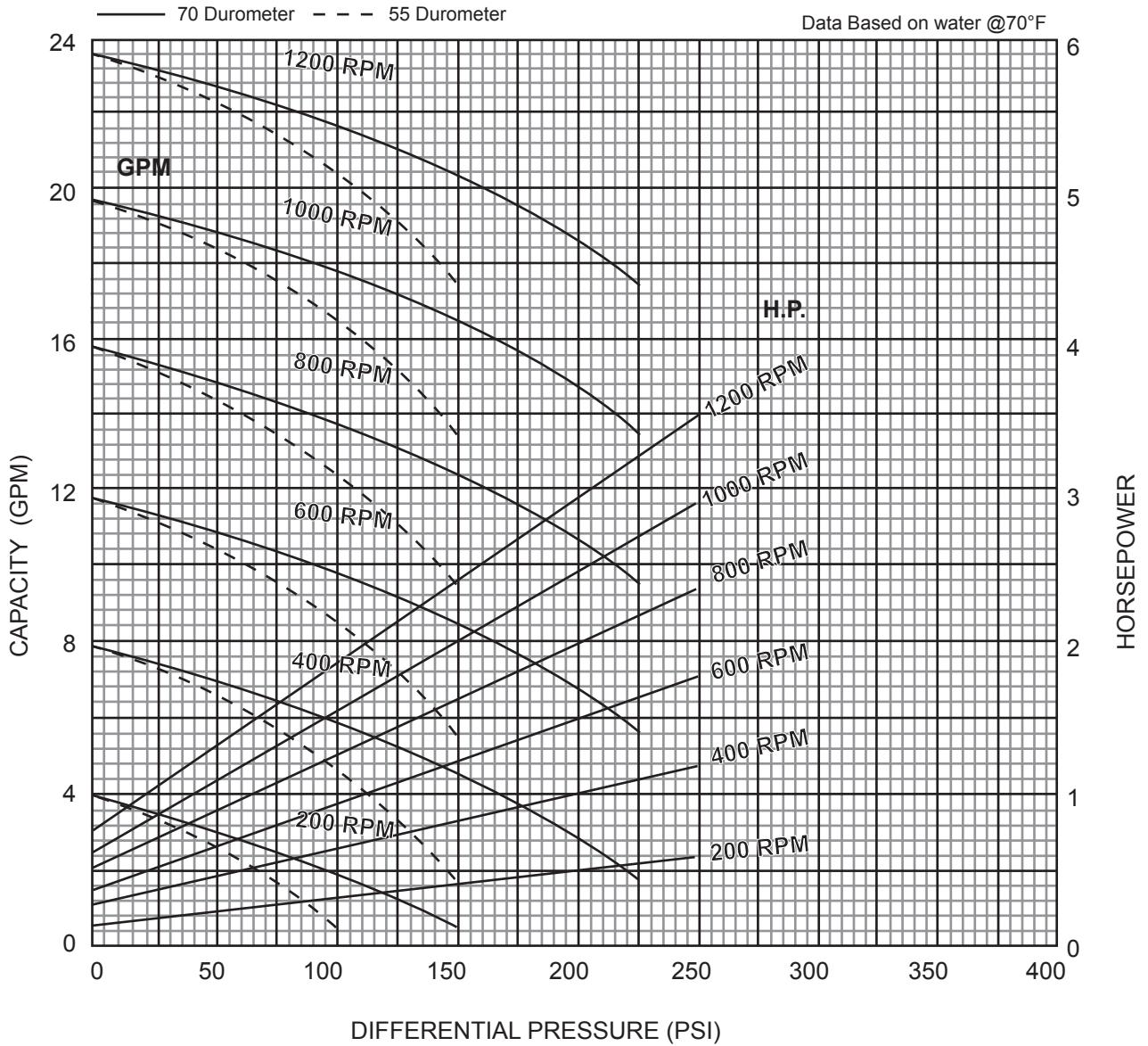


JUSTICE SERIES - 3LJ4

Progressive Cavity Pump

Performance Curves

RPM	200	400	600	800	1000	1200
NPSH REQ'D	.9	1.7	2.6	3.4	4.8	6.7
MIN. HP	1/2	3/4	1	1-1/2	2	2



3 Stage Pump

BACK TO TOP

P: 847.640.7867 F: 847.640.7855
2525 Clearbrook Drive Arlington Heights, IL 60005

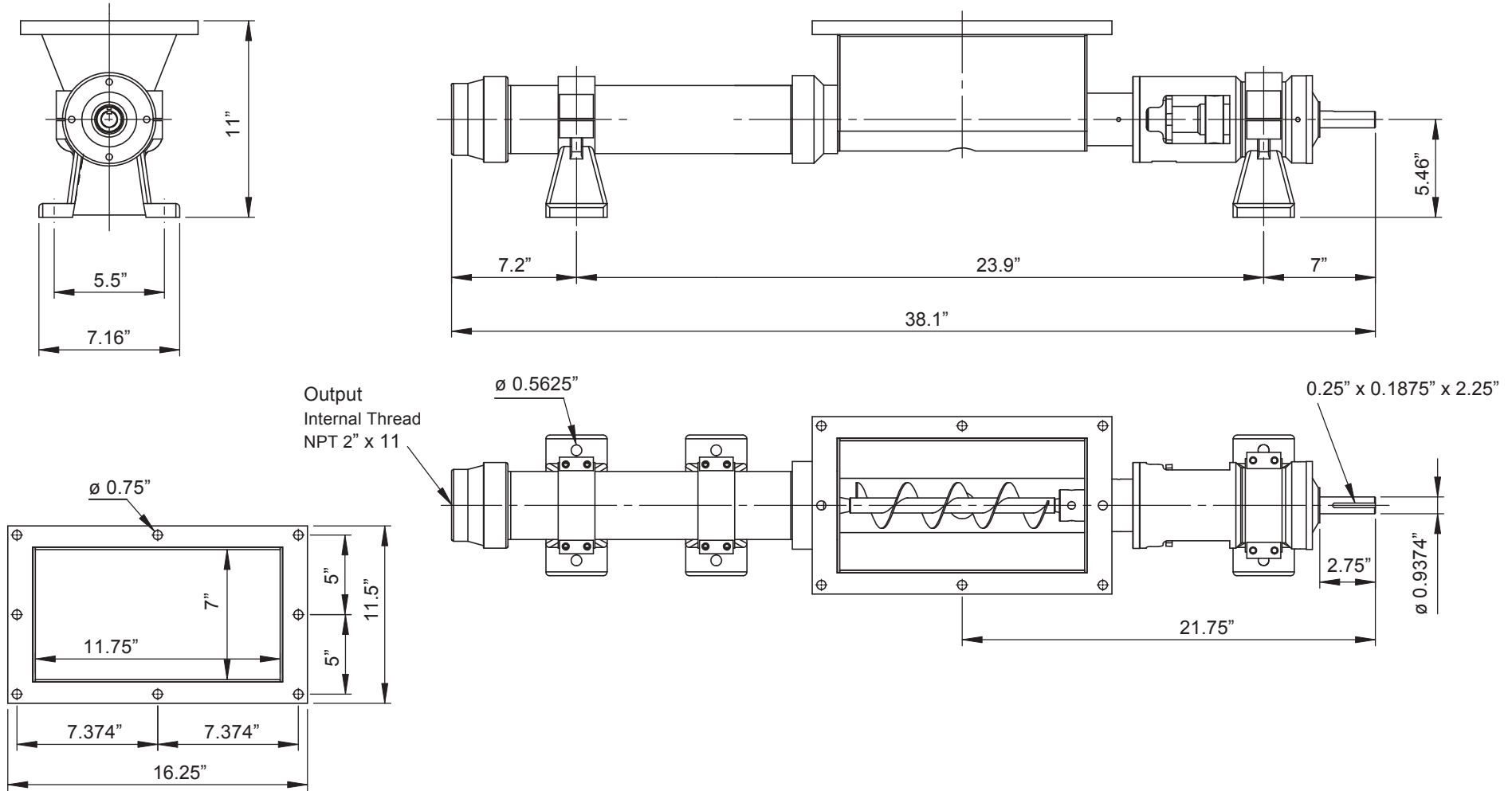
www.libertyprocess.com



JUSTICE SERIES - 1LJ4

Progressive Cavity Pump

Dimensional Drawings



[BACK TO TOP](#)

1 Stage Pump

Net weight

≈ lbs.

ALL DIMN: Inches

-

P: 847.640.7867 F: 847.640.7855
2525 Clearbrook Drive Arlington Heights, IL 60005

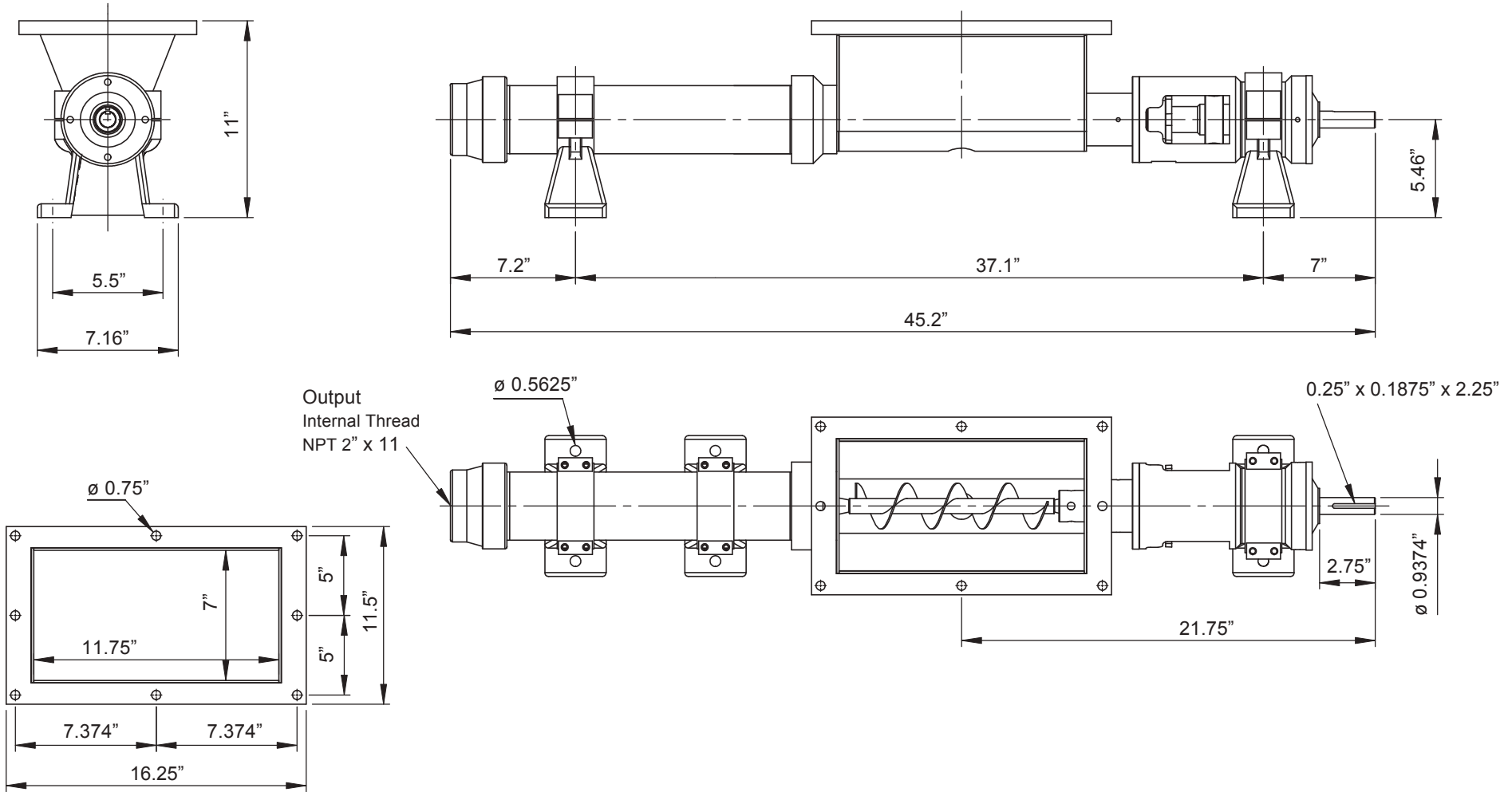
www.libertyprocess.com



JUSTICE SERIES - 2LJ4

Progressive Cavity Pump

Dimensional Drawings



BACK TO TOP

2 Stage Pump

Net weight

≈ lbs.

-

ALL DIMN: Inches

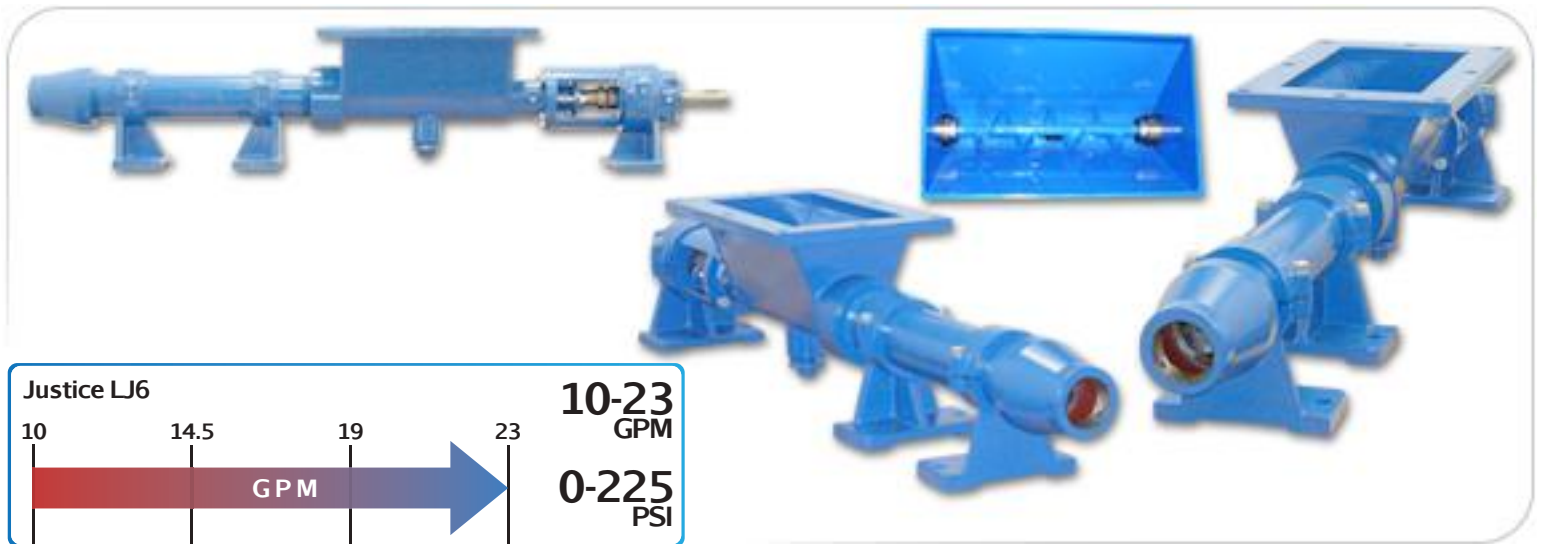
P: 847.640.7867 F: 847.640.7855
2525 Clearbrook Drive Arlington Heights, IL 60005

www.libertyprocess.com



JUSTICE SERIES - LJ6

Progressive Cavity Hopper Pump



Justice LJ6



10-23
GPM

0-225
PSI

Features

- Large Hopper
- Welded Auger
- Hardened Joints
- Packing or Mechanical Seal
- 3-Stage Options
- Steel or Stainless Steel

Materials

Rotor: Tool or Stainless Steel - Chrome-Plated

Stator: Buna, Rubber, Viton™, EPDM

Motor: 1.5, 2, 3, and 5 hp

Inlet: 14.5" x 8"

Outlet: 2-1/2"

Bases: Steel and Stainless Steel

Pump Description

The Liberty Justice LJ6 Series Open Hopper Progressive Cavity Pump represents an ideal pumping solution for viscous solutions with high solids contents such as rendering plant wastes in the poultry, pork and beef industry. Flow rates of 5.20 GPM per 100 Revolutions (10 GPM to 23 GPM) at 225 PSI are standard through the range of the series. The Justice Series offers a design of a heavy-duty auger mated to a rotor and stator for the most difficult pumping applications available today.

The large rectangular feed hopper design easily accommodates your pumping medium while the non-pulsating design of the product produces a low-shear flow that conveys your medium along effortlessly. Solids in suspension of up to 50% are accommodated by the Auger design.

The modular design of the Justice Series Open Hopper Progressive Cavity pump is a hardened pinned-joint drive assembly with a body available in steel or 316 stainless steel and internal wetted components in either stainless steel or hardened tool steel with hard chrome plating for long-life and durability in abrasive pumping applications.

Rotors and Stators for the Justice Series are available in 1, 2, and 3 stages for applications with 75, 150, and 225 PSI discharge pressures with stators available in Buna Nitrile, Viton, EPDM and Natural Rubber. The standard seal design is a set of packing with a lantern ring and flush connections. mechanical Seal options are readily available.

The Liberty LJ6 Progressive Cavity Pump parts are direct aftermarket replacements that dimensionally interchange with the Moyno™ J6 Series, and the Tarby™ TJ6 Series.*

Contact a Liberty Process representative today for more information about the Justice Series

Curves

Click Links Below

1-Stage
1LJ6

2-Stage
2LJ6

3-Stage
3LJ6

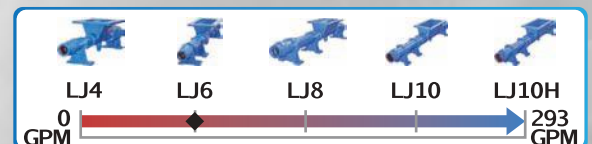
Drawings

Click Links Below

1-Stage
1LJ6

2-Stage
2LJ6

3-Stage
3LJ6



P: 847.640.7867 F: 847.640.7855
2525 Clearbrook Drive Arlington Heights, IL 60005

www.libertyprocess.com

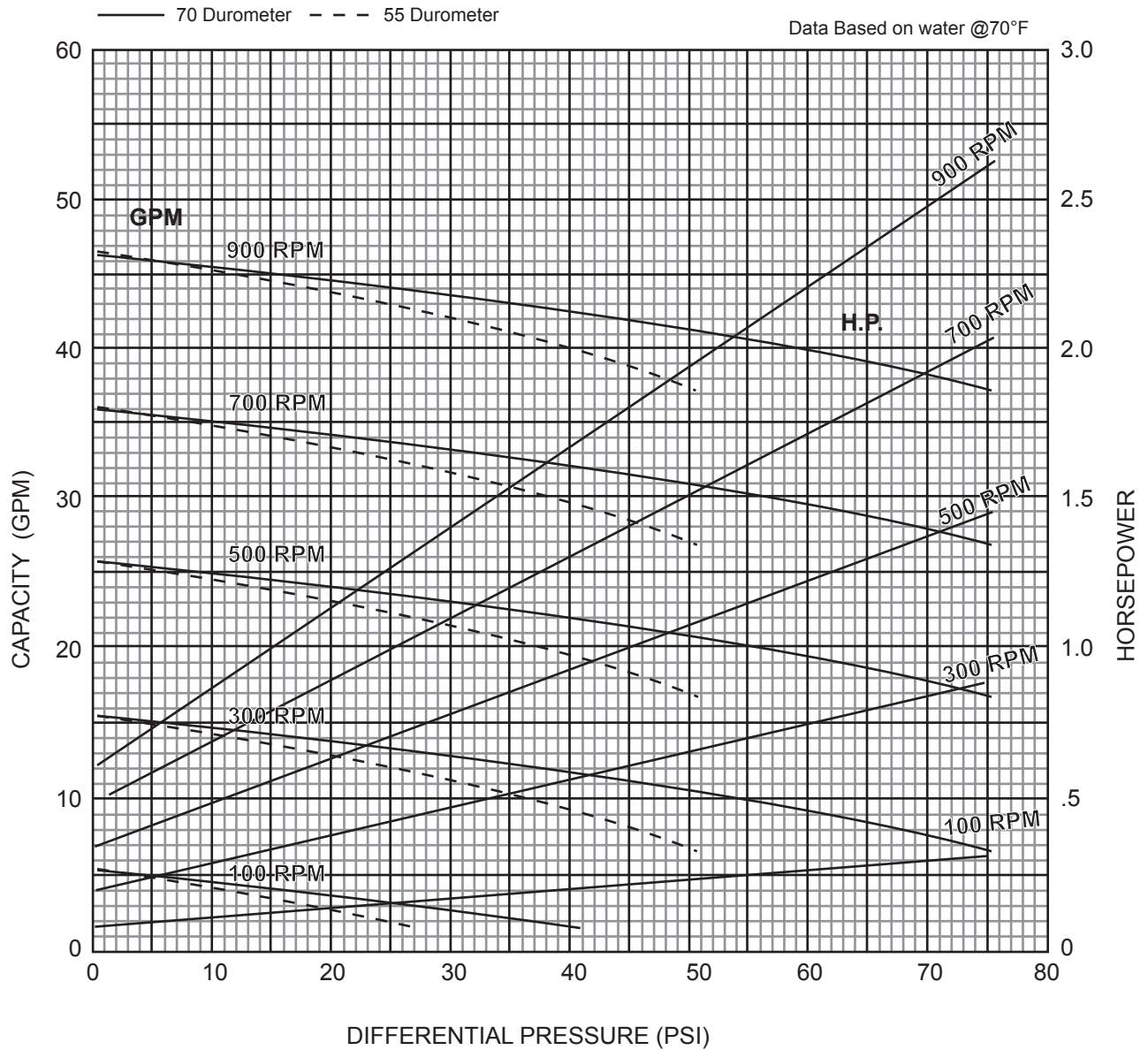


JUSTICE SERIES - 1LJ6

Progressive Cavity Pump

Performance Curves

RPM	100	300	500	700	900
NPSH REQ'D	.6	1.7	2.9	4.1	6.9
MIN. HP	1/3	3/4	1	1-1/2	2



1 Stage Pump

BACK TO TOP

P: 847.640.7867 F: 847.640.7855
2525 Clearbrook Drive Arlington Heights, IL 60005

www.libertyprocess.com

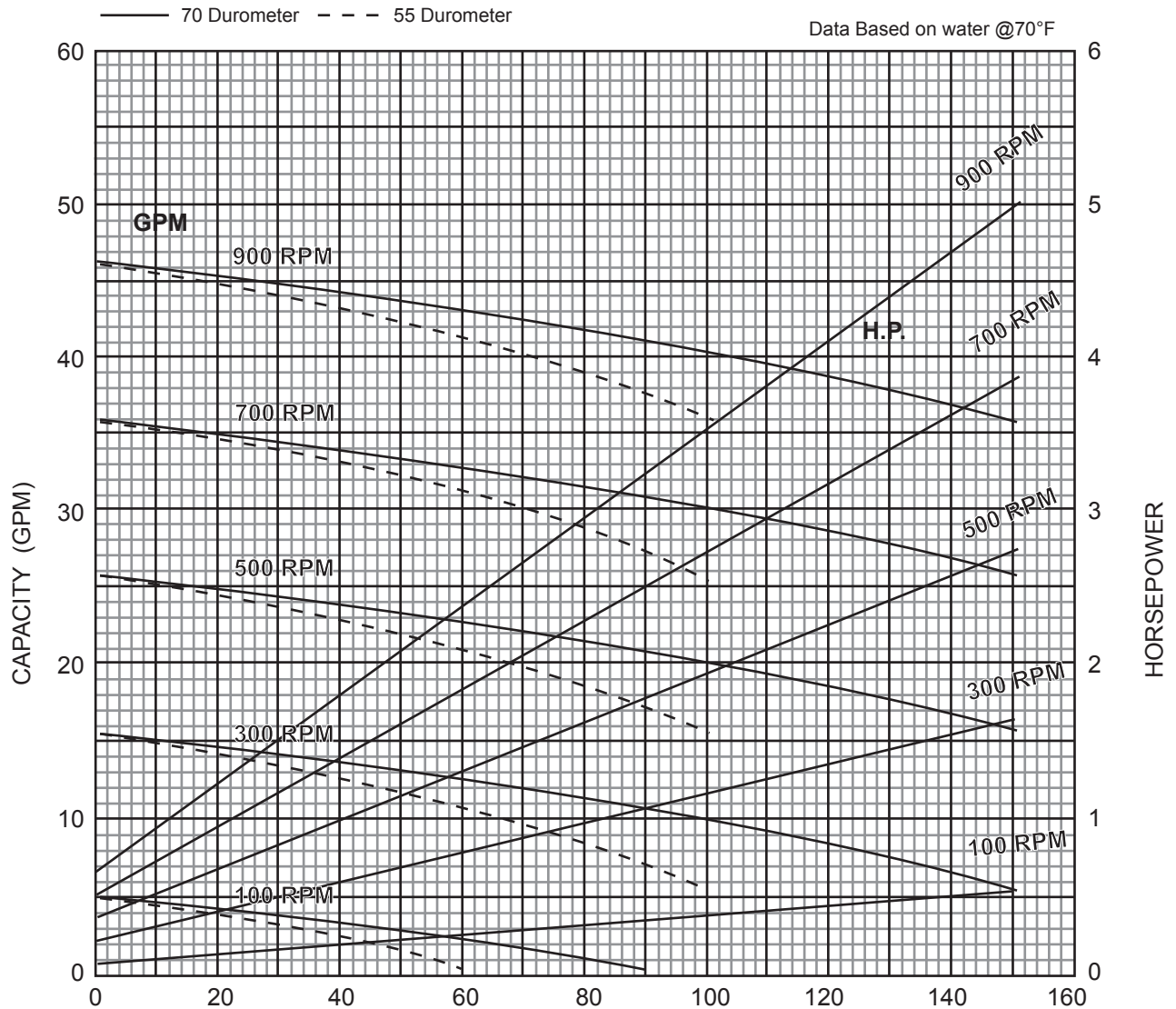


JUSTICE SERIES - 2LJ6

Progressive Cavity Pump

Performance Curves

RPM	100	300	500	700	900
NPSH REQ'D	.6	1.7	2.9	4.1	6.9
MIN. HP	1/2	1-1/2	2	3	3



2 Stage Pump

BACK TO TOP

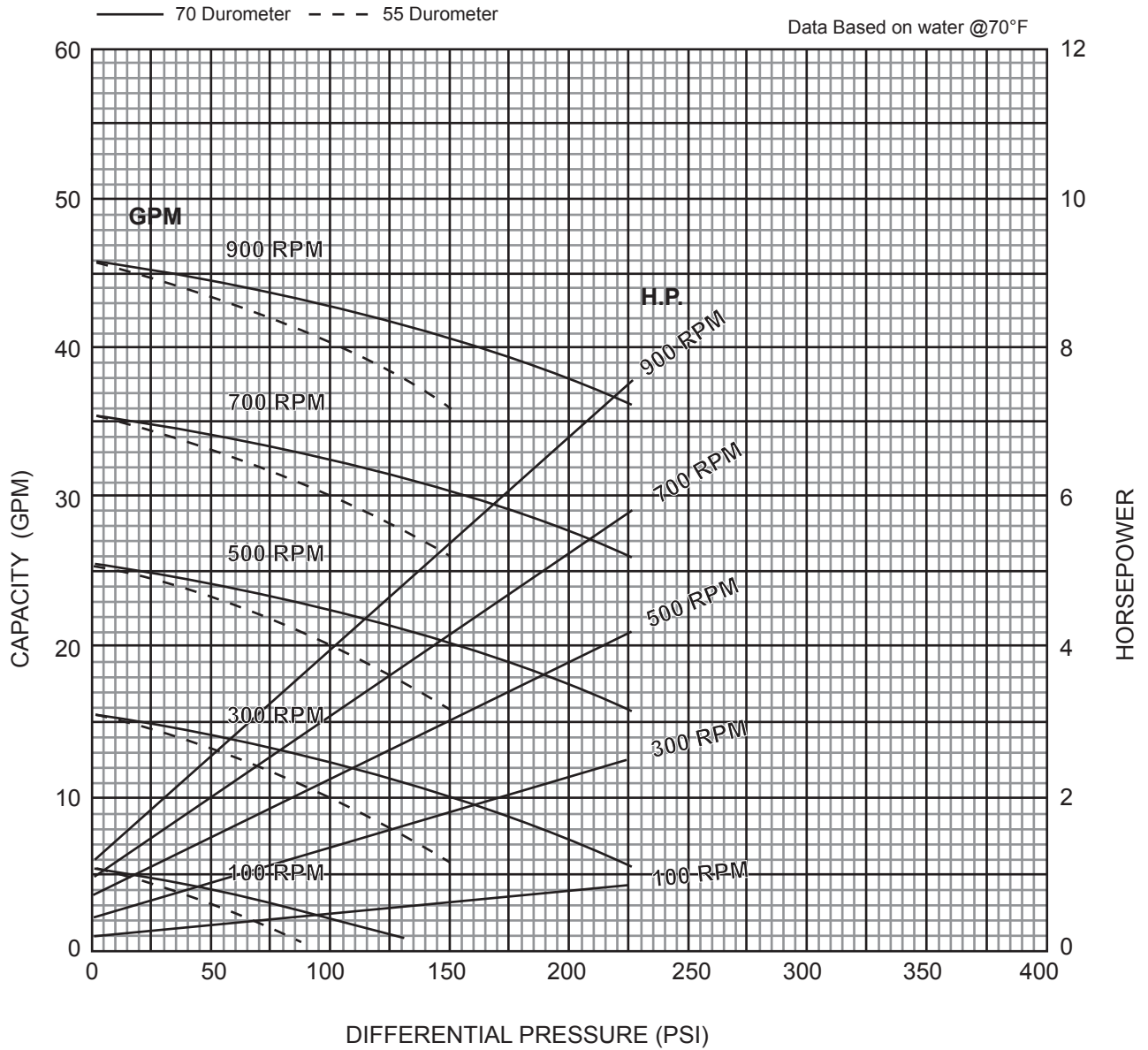


JUSTICE SERIES - 3LJ6

Progressive Cavity Pump

Performance Curves

RPM	100	300	500	700	900
NPSH REQ'D	.6	1.7	2.9	4.1	6.9
MIN. HP	1	2	3	5	5



3 Stage Pump

[BACK TO TOP](#)

P: 847.640.7867 F: 847.640.7855
2525 Clearbrook Drive Arlington Heights, IL 60005

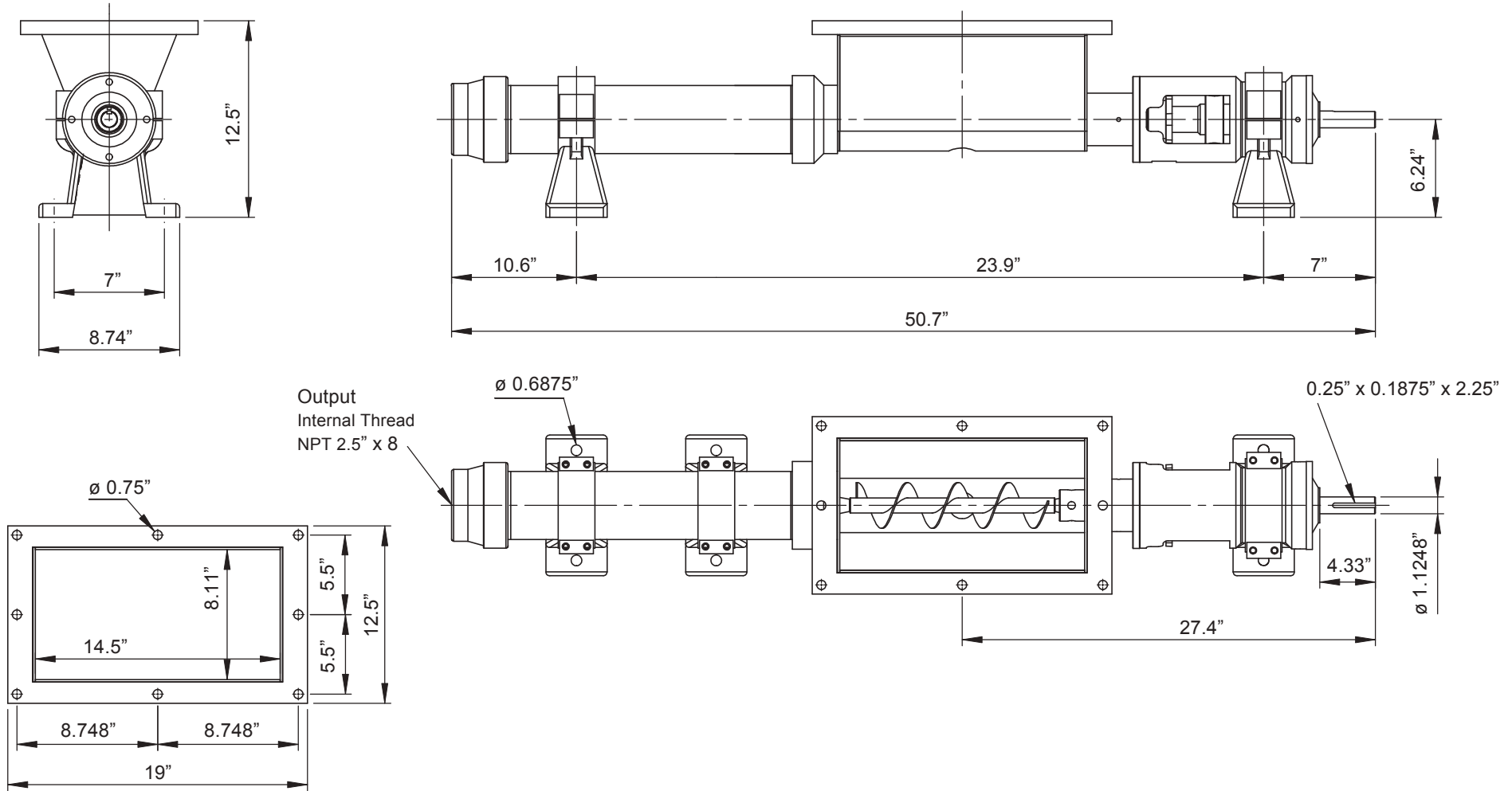
www.libertyprocess.com



JUSTICE SERIES - 1LJ6

Progressive Cavity Pump

Dimensional Drawings



BACK TO TOP

1 Stage Pump

Net weight

≈ lbs.

-

ALL DIMN: Inches

P: 847.640.7867 F: 847.640.7855
2525 Clearbrook Drive Arlington Heights, IL 60005

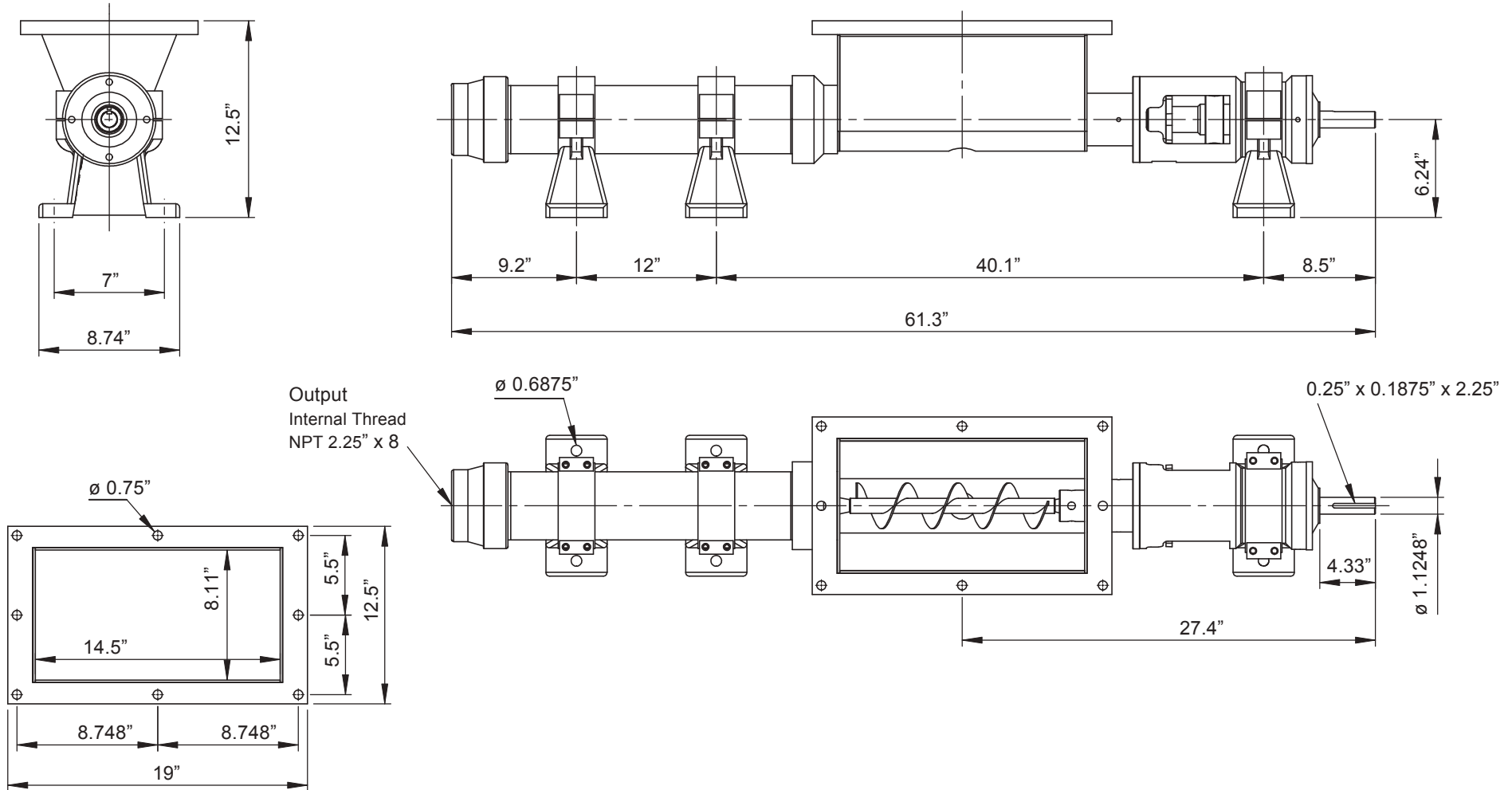
www.libertyprocess.com



JUSTICE SERIES - 2LJ6

Progressive Cavity Pump

Dimensional Drawings



BACK TO TOP

2 Stage Pump

Net weight

≈ lbs.

-

ALL DIMN: Inches

P: 847.640.7867 F: 847.640.7855
2525 Clearbrook Drive Arlington Heights, IL 60005

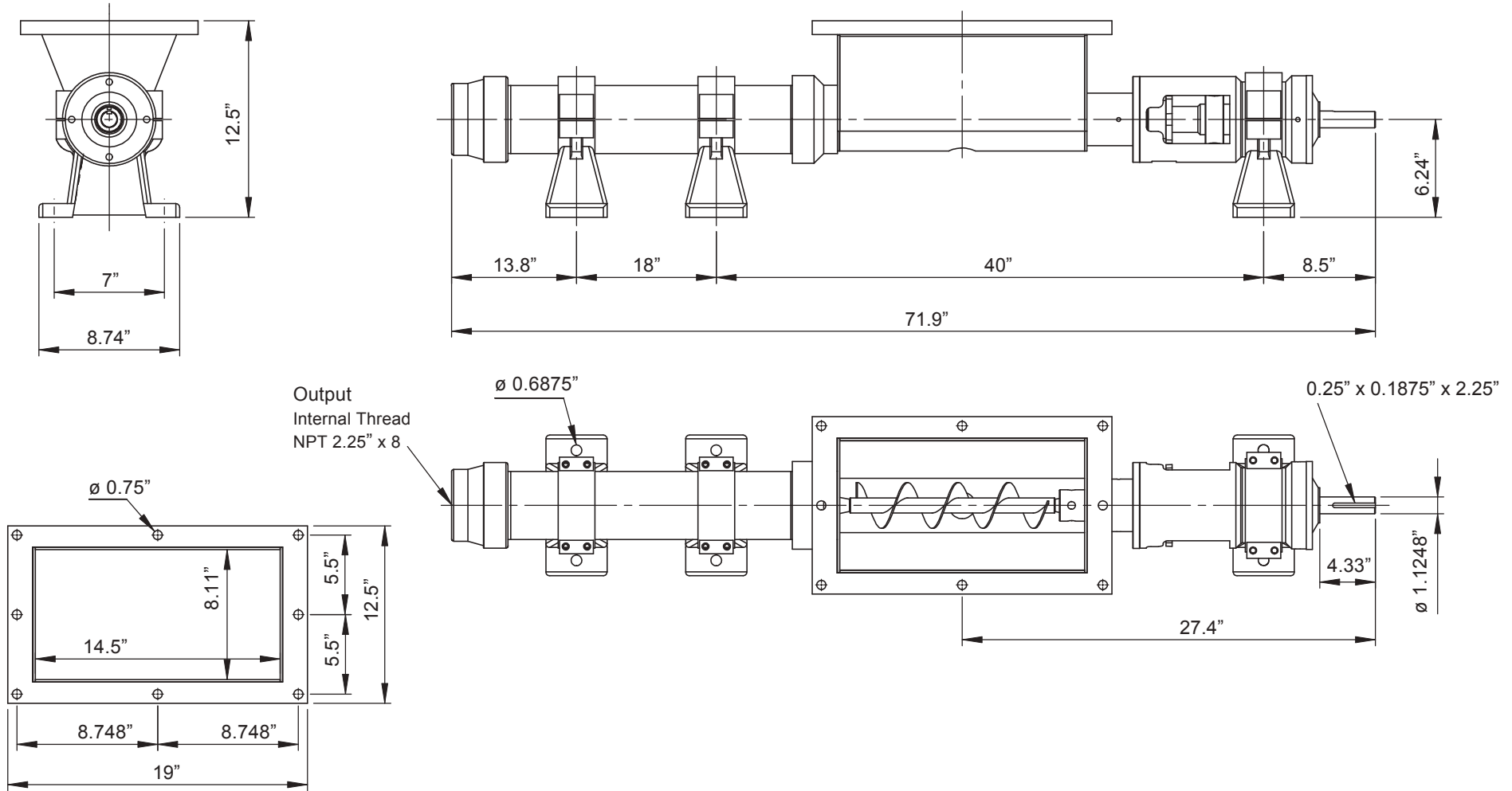
www.libertyprocess.com



JUSTICE SERIES - 3LJ6

Progressive Cavity Pump

Dimensional Drawings



BACK TO TOP

3 Stage Pump

Net weight

≈ lbs.

-

ALL DIMN: Inches

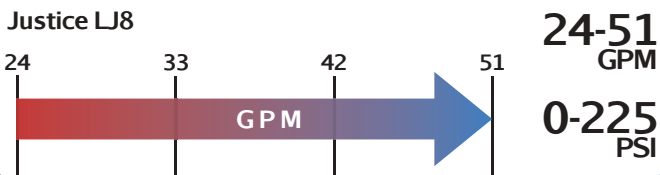
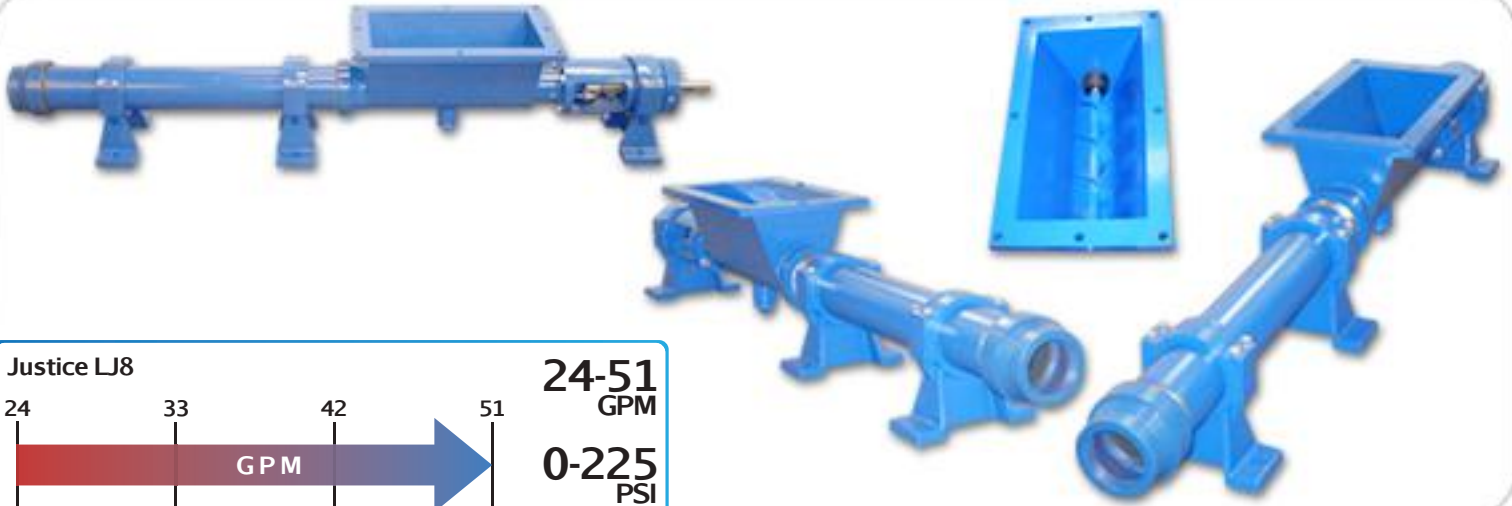
P: 847.640.7867 F: 847.640.7855
2525 Clearbrook Drive Arlington Heights, IL 60005

www.libertyprocess.com



JUSTICE SERIES - LJ8

Progressive Cavity Hopper Pump



Features

- Large Hopper
- Welded Auger
- Hardened Joints
- Packing or Mechanical Seal
- 3-Stage Options
- Steel or Stainless Steel

Materials

Rotor: Tool or Stainless Steel - Chrome-Plated

Stator: Buna, Rubber, Viton™, EPDM

Motor: 3, 5, 7.5, and 10 hp

Inlet: 20" x 10"

Outlet: 4"

Bases: Steel and Stainless Steel

Curves

[Click Links Below](#)

1-Stage
1LJ8

2-Stage
2LJ8

3-Stage
3LJ8

Drawings

[Click Links Below](#)

1-Stage
1LJ8

2-Stage
2LJ8

3-Stage
3LJ8

Pump Description

The Liberty Justice Series Open Hopper Progressive Cavity Pump represents an ideal pumping solution for spent grain for the brewery industry with its ability to pump spent grain for transfer or wine must. Flow rates of 11.7 GPM per 100 Revolutions (24 GPM to 51 GPM) at 225 PSI are standard through the range of the series. The Justice Series offers a design of a heavy-duty auger mated to a rotor and stator for the most difficult pumping applications.

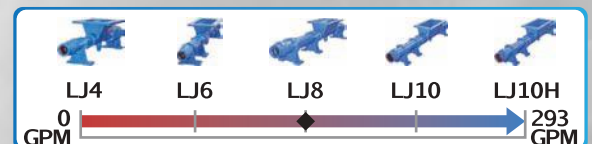
The large rectangular feed hopper design easily accommodates your pumping medium while the non-pulsating design of the product produces a low-shear flow that conveys your medium along effortlessly. Solids in suspension of up to 50% are accommodated by the Auger design.

The modular design of the Justice LJ8 Series Open Hopper Progressive Cavity pump is a hardened pinned-joint drive assembly with a body available in steel or 316 stainless steel and internal wetted components in either stainless steel or hardened tool steel with hard chrome plating for long-life and durability in abrasive pumping applications.

Rotors and Stators for the Justice LJ8 Series are available in 1, 2, and 3 stages for applications with 75, 150, and 225 PSI discharge pressures with stators available in Buna Nitrile, Viton, EPDM and Natural Rubber. The standard seal design is a set of packing with a lantern ring and flush connections. Mechanical Seal options are readily available.

The Liberty LJ8 Progressive Cavity Pump parts are direct aftermarket replacements that dimensionally interchange with the Moyno™ J8 Series, and the Tarby™ TJ8 Series.*

Contact a Liberty Process representative today for more information about the Justice Series.



P: 847.640.7867 F: 847.640.7855
2525 Clearbrook Drive Arlington Heights, IL 60005

www.libertyprocess.com

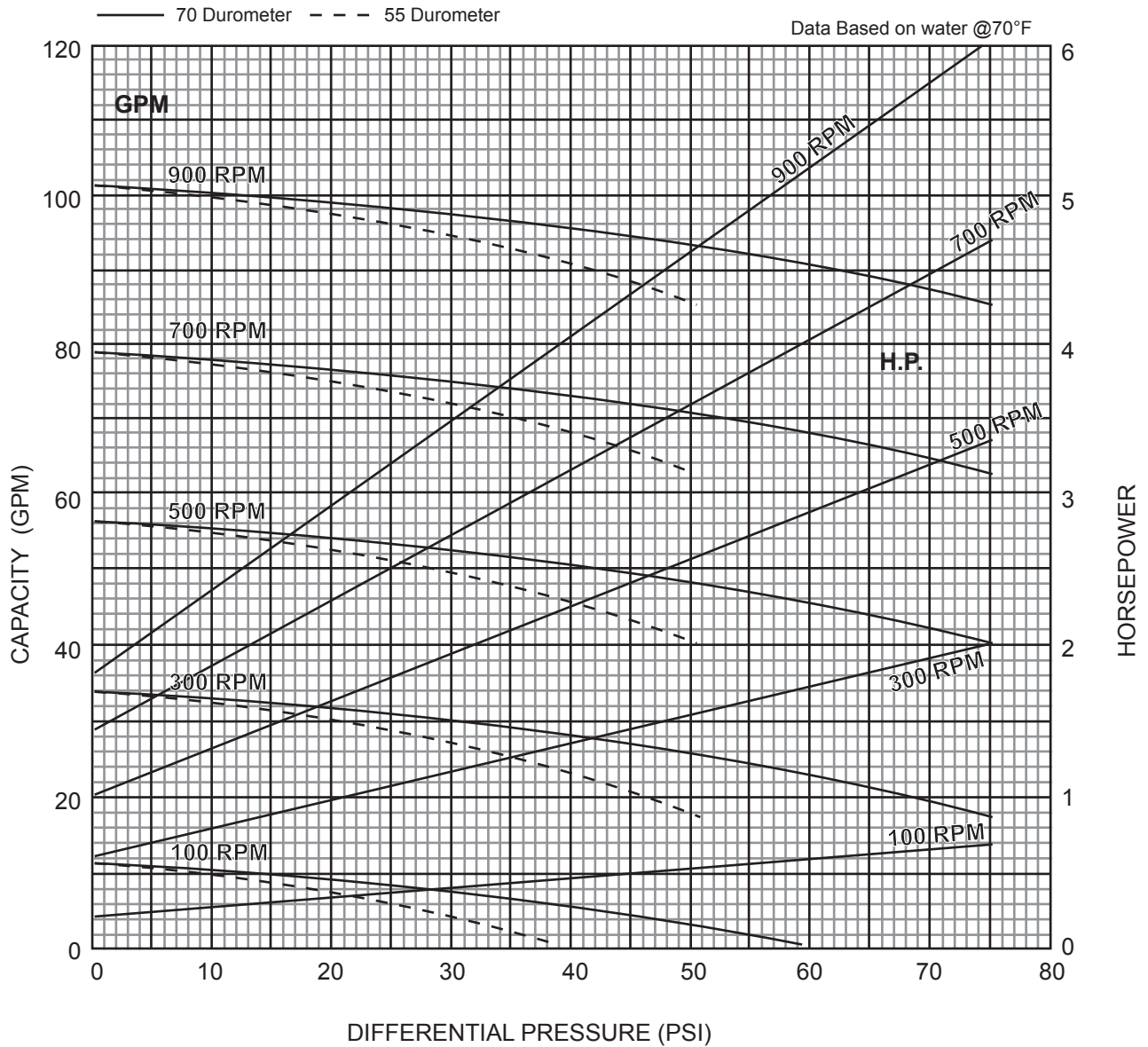


JUSTICE SERIES - 1LJ8

Progressive Cavity Pump

Performance Curves

RPM	100	300	500	700	900
NPSH REQ'D	.8	2.2	3.7	6.9	10.5
MIN. HP	1/2	1-1/2	2	3	5



1 Stage Pump

BACK TO TOP

P: 847.640.7867 F: 847.640.7855
2525 Clearbrook Drive Arlington Heights, IL 60005

www.libertyprocess.com

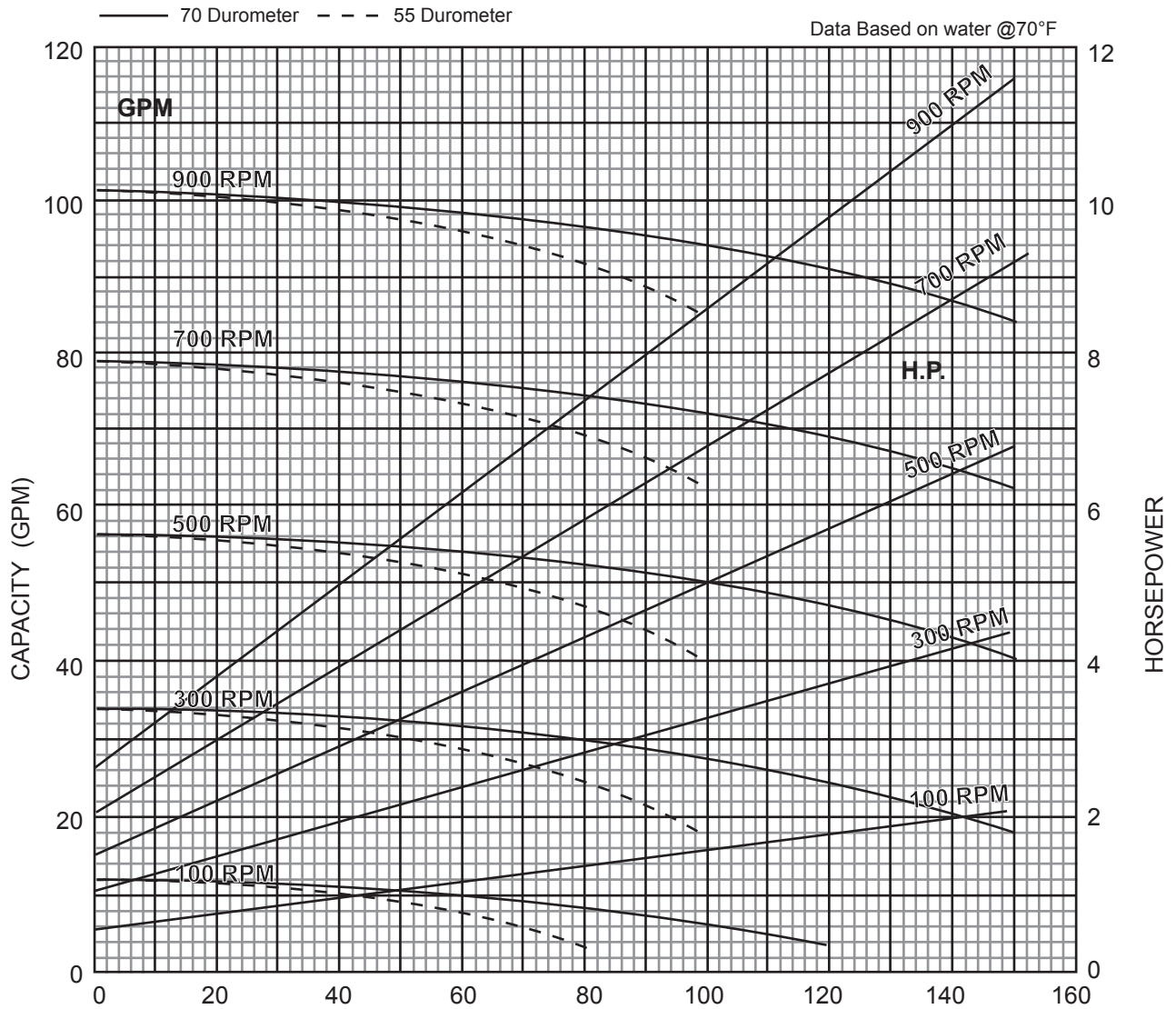


JUSTICE SERIES - 2LJ8

Progressive Cavity Pump

Performance Curves

RPM	100	300	500	700	900
NPSH REQ'D	.8	2.2	3.7	6.9	10.5
MIN. HP	1-1/2	3	5	7-1/2	7-1/2



2 Stage Pump

BACK TO TOP

P: 847.640.7867 F: 847.640.7855
2525 Clearbrook Drive Arlington Heights, IL 60005

www.libertyprocess.com

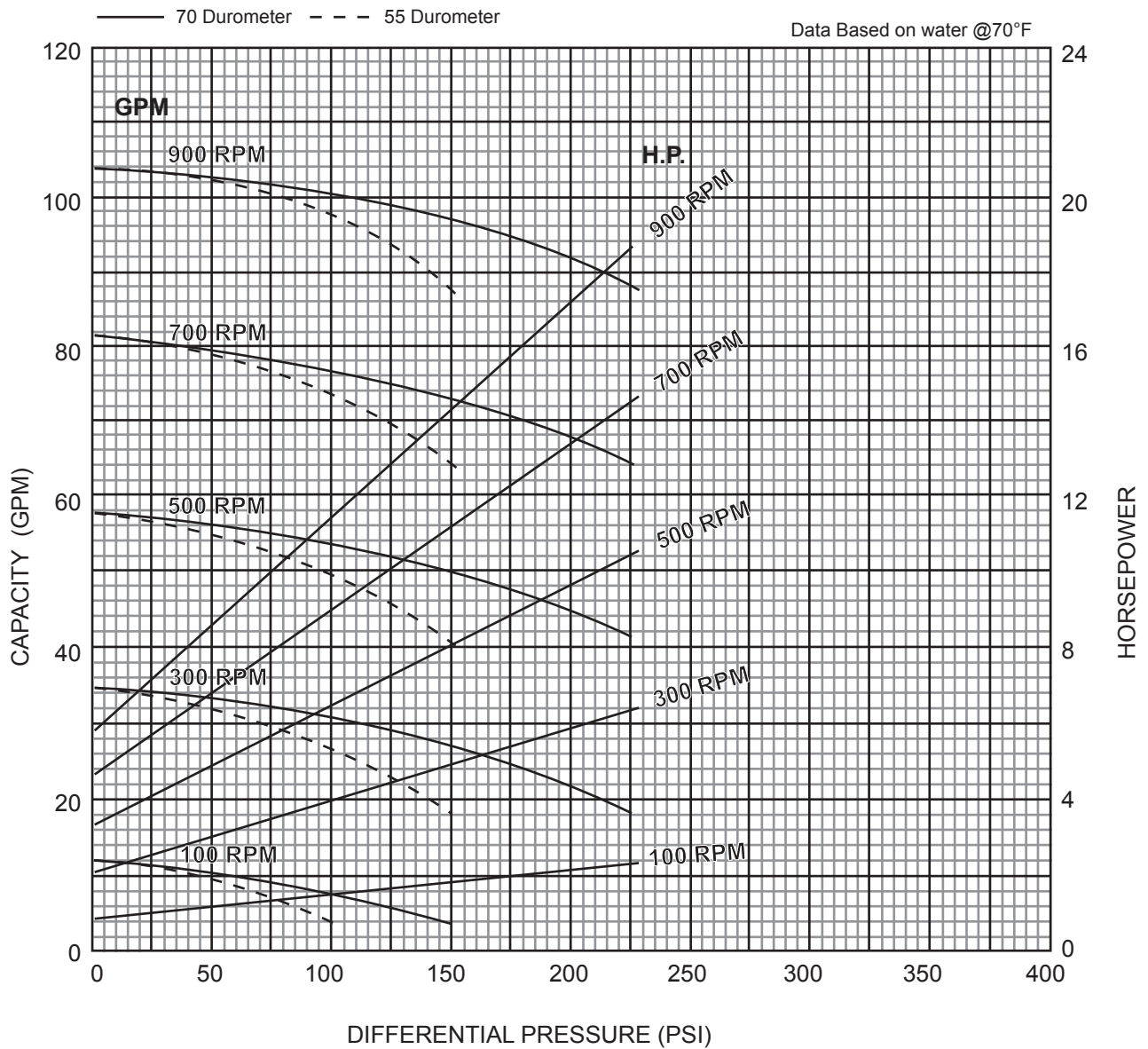


JUSTICE SERIES - 3LJ8

Progressive Cavity Pump

Performance Curves

RPM	100	300	500	700	900
NPSH REQ'D	.8	2.2	3.7	6.9	10.5
MIN. HP	2	5	7-1/2	10	10



3 Stage Pump

BACK TO TOP

P: 847.640.7867 F: 847.640.7855
2525 Clearbrook Drive Arlington Heights, IL 60005

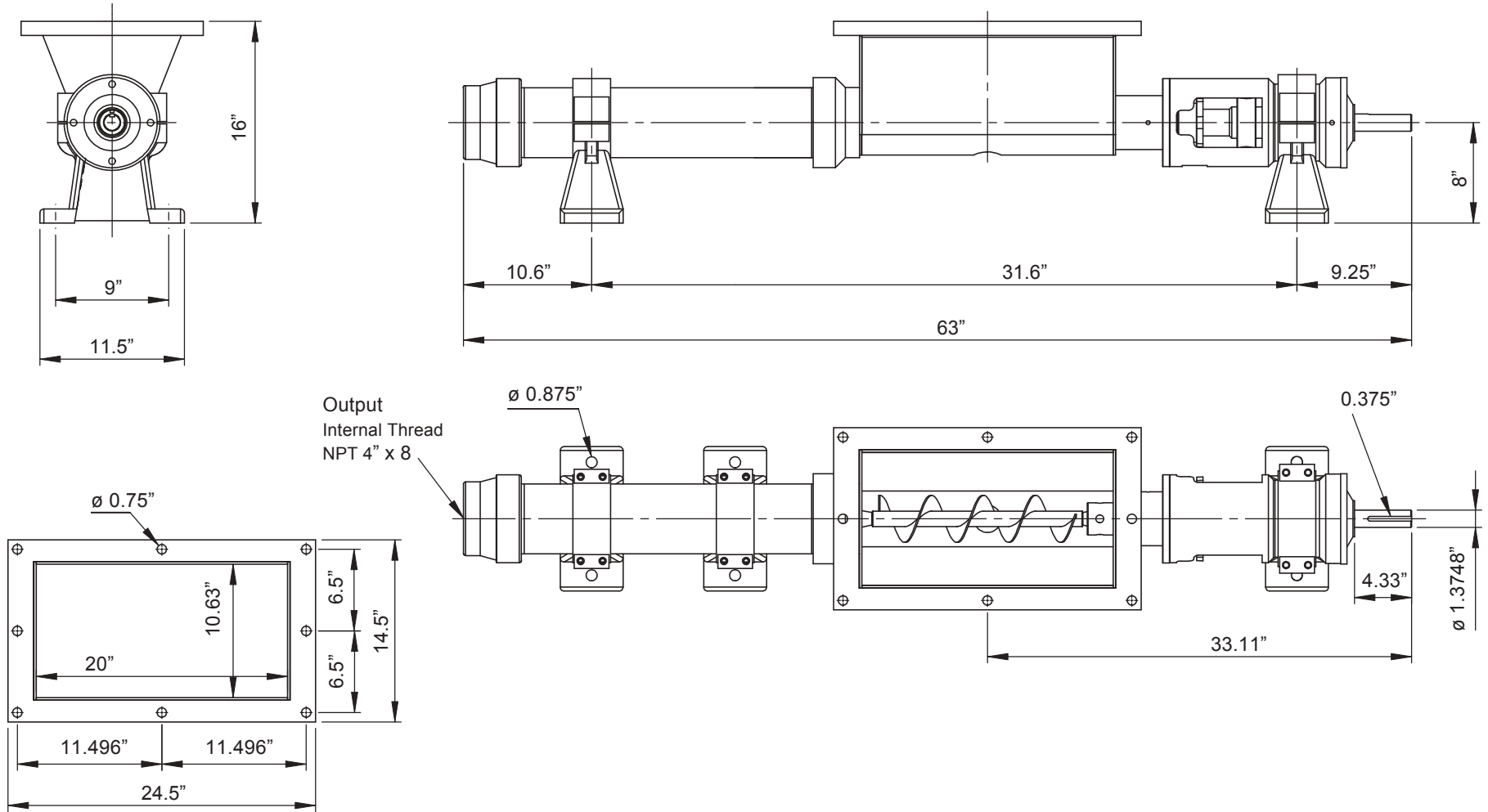
www.libertyprocess.com



JUSTICE SERIES - 1LJ8

Progressive Cavity Pump

Dimensional Drawings



[BACK TO TOP](#)

1 Stage Pump

Net weight

≈ lbs.

-

ALL DIMN: Inches

P: 847.640.7867 F: 847.640.7855
2525 Clearbrook Drive Arlington Heights, IL 60005

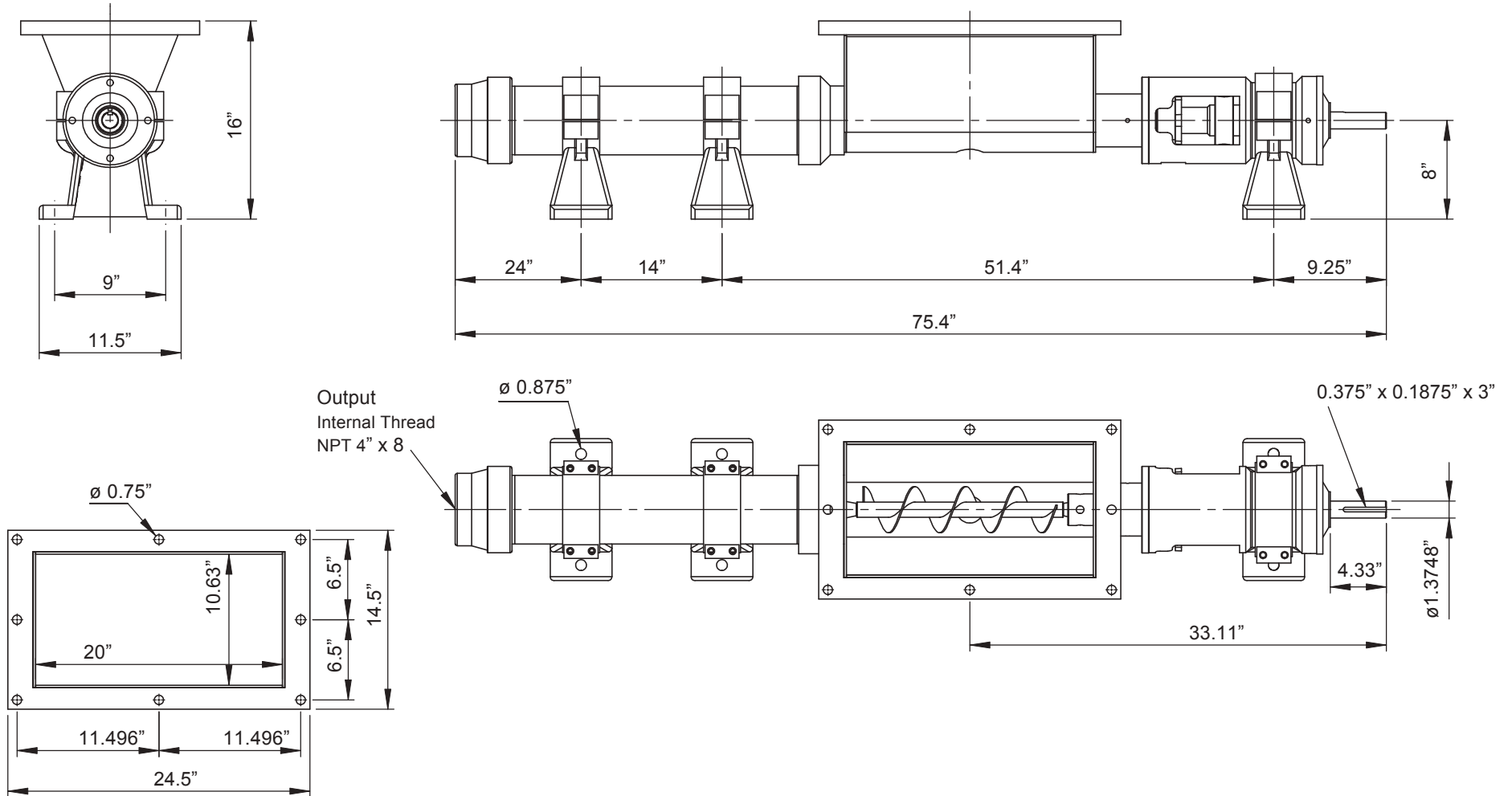
www.libertyprocess.com



JUSTICE SERIES - 2LJ8

Progressive Cavity Pump

Dimensional Drawings



BACK TO TOP

2 Stage Pump

Net weight

≈ lbs.

-

ALL DIMN: Inches

P: 847.640.7867 F: 847.640.7855
2525 Clearbrook Drive Arlington Heights, IL 60005

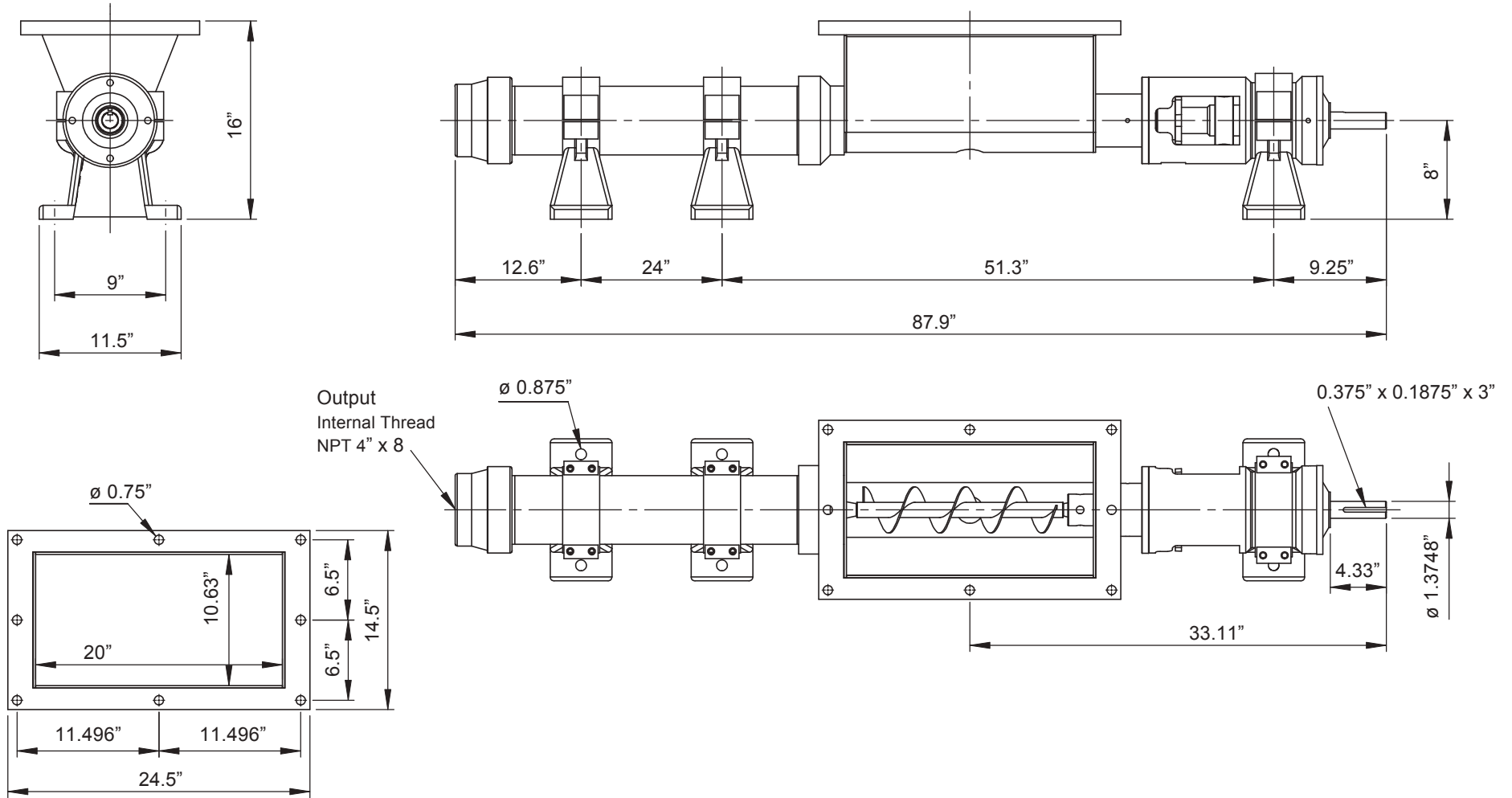
www.libertyprocess.com



JUSTICE SERIES - 3LJ8

Progressive Cavity Pump

Dimensional Drawings



BACK TO TOP

3 Stage Pump

Net weight

≈ lbs.

-

ALL DIMN: Inches

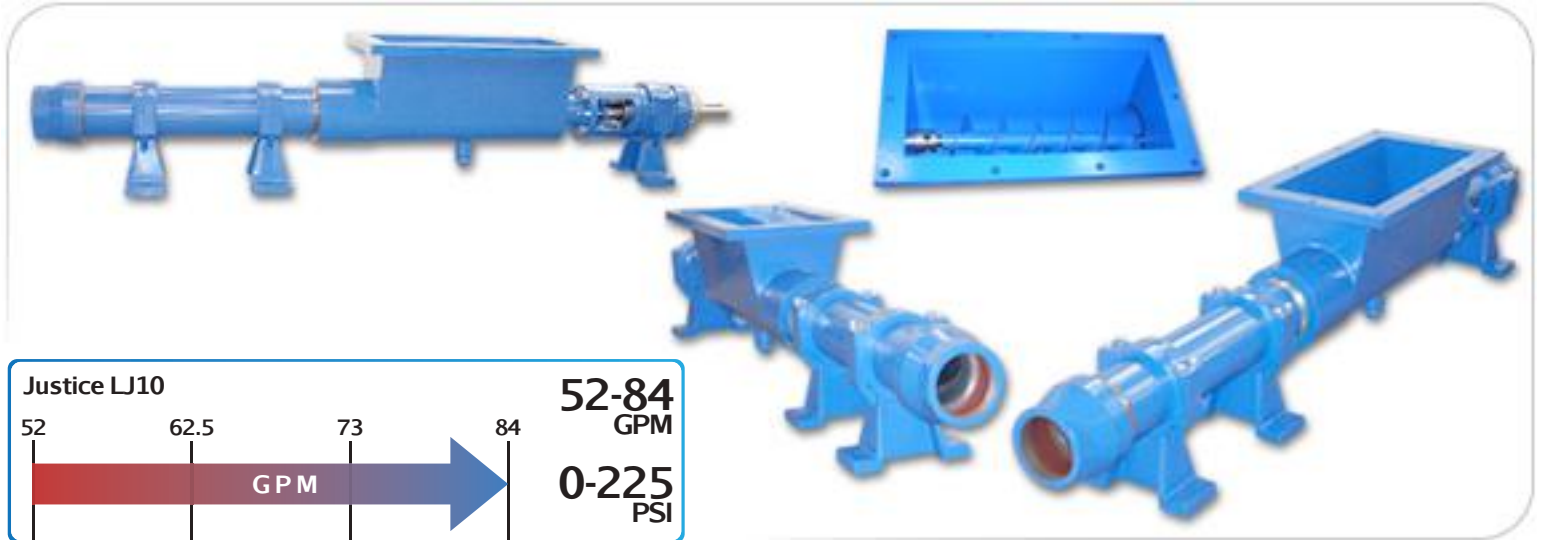
P: 847.640.7867 F: 847.640.7855
2525 Clearbrook Drive Arlington Heights, IL 60005

www.libertyprocess.com



JUSTICE SERIES - LJ10

Progressive Cavity Hopper Pump



Justice LJ10



52-84
GPM

0-225
PSI

Features

- Large Hopper
- Welded Auger
- Hardened Joints
- Packing or Mechanical Seal
- 3-Stage Options
- Steel or Stainless Steel

Materials

Rotor: Tool or Stainless Steel - Chrome-Plated

Stator: Buna, Rubber, Viton™, EPDM

Motor: 5, 10, 15, and 20 hp

Inlet: 26" x 12"

Outlet: 5"

Bases: Steel and Stainless Steel

Pump Description

The Liberty Justice LJ10 Series Open Hopper Progressive Cavity Pump represents an ideal pumping solution for viscous solutions with high solids contents such as sewage and sewage sludge transfers at wastewater treatment facilities. Flow rates of 18.8 GPM/ per 100 Revolutions (52 GPM to 84 GPM) at 225 PSI are standard through the range of the series. The Justice Series offers a design of a heavy-duty auger mated to a rotor and stator for the most difficult pumping applications.

The large rectangular feed hopper design easily accommodates your pumping medium while the non-pulsating design of the product produces a low-shear flow that conveys your medium along effortlessly. Solids in suspension of up to 50% are accommodated by the Auger design.

The modular design of the Justice LJ10 Series Open Hopper Progressive Cavity pump is a hardened pinned-joint drive assembly with a body available in steel or 316 stainless steel and internal wetted components in either stainless steel or hardened tool steel with hard chrome plating for long-life and durability in abrasive pumping applications.

Rotors and Stators for the Justice LJ10 Series are available in 1, 2, and 3 stages for applications with 75, 150, and 225 PSI discharge pressures with stators available in Buna Nitrile, Viton™, EPDM and Natural Rubber. The standard seal design is a set of packing with a lantern ring and flush connections. Mechanical Seal options are readily available.

Contact a Liberty Process representative today for more information about the Justice Series



Curves

Click Links Below

1-Stage
1LJ10

2-Stage
2LJ10

3-Stage
3LJ10

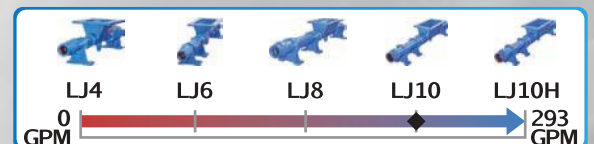


Drawings

Click Links Below

1-Stage
1LJ10

2-Stage
2LJ10



P: 847.640.7867 F: 847.640.7855
2525 Clearbrook Drive Arlington Heights, IL 60005

www.libertyprocess.com

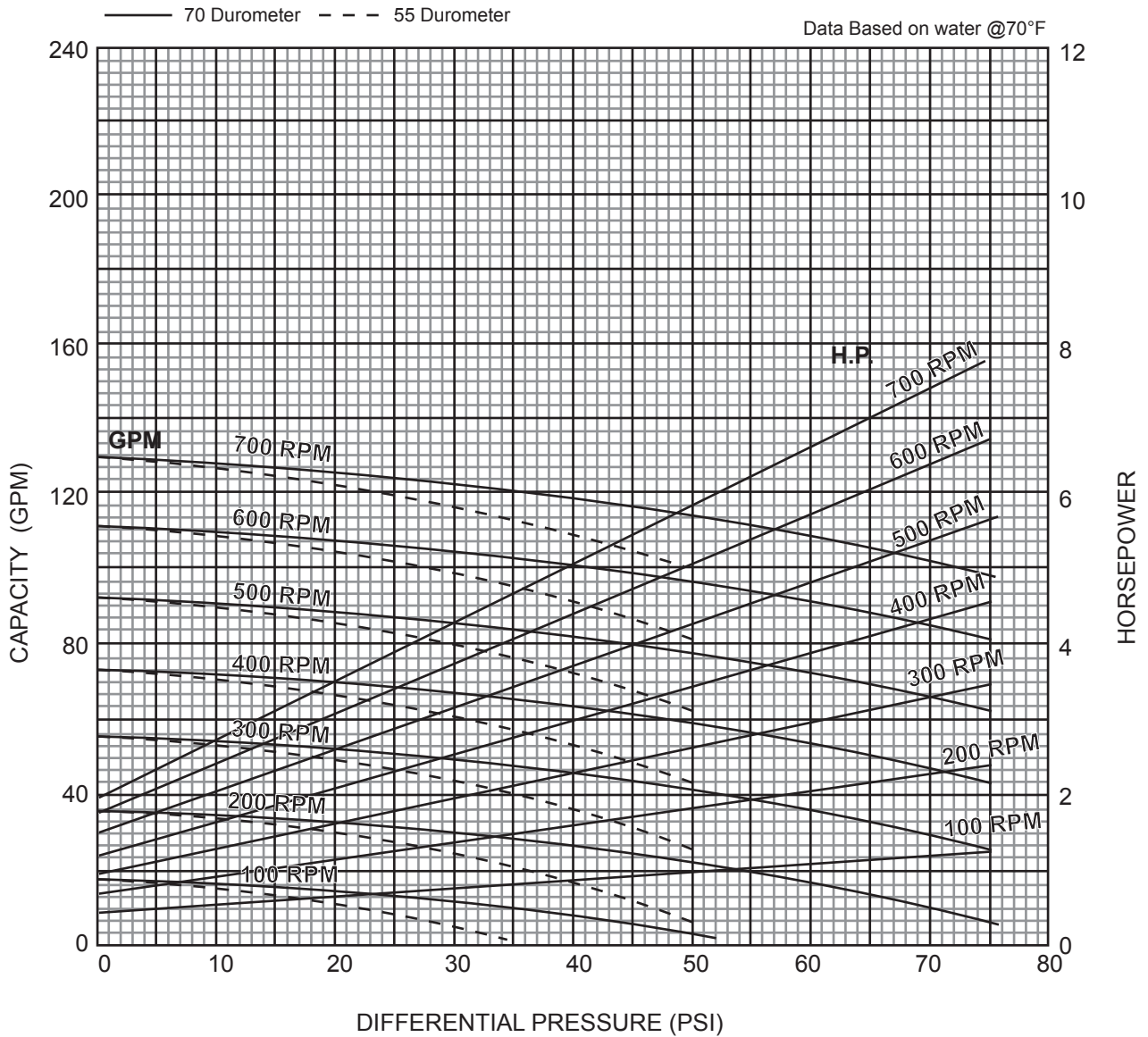


JUSTICE SERIES - 1LJ10

Progressive Cavity Pump

Performance Curves

RPM	100	200	300	400	500	600	700
NPSH REQ'D	.9	1.7	2.6	3.5	4.9	6.9	9.1
MIN. HP	1	1-1/2	2	3	5	5	5



1 Stage Pump

BACK TO TOP

P: 847.640.7867 F: 847.640.7855
2525 Clearbrook Drive Arlington Heights, IL 60005

www.libertyprocess.com

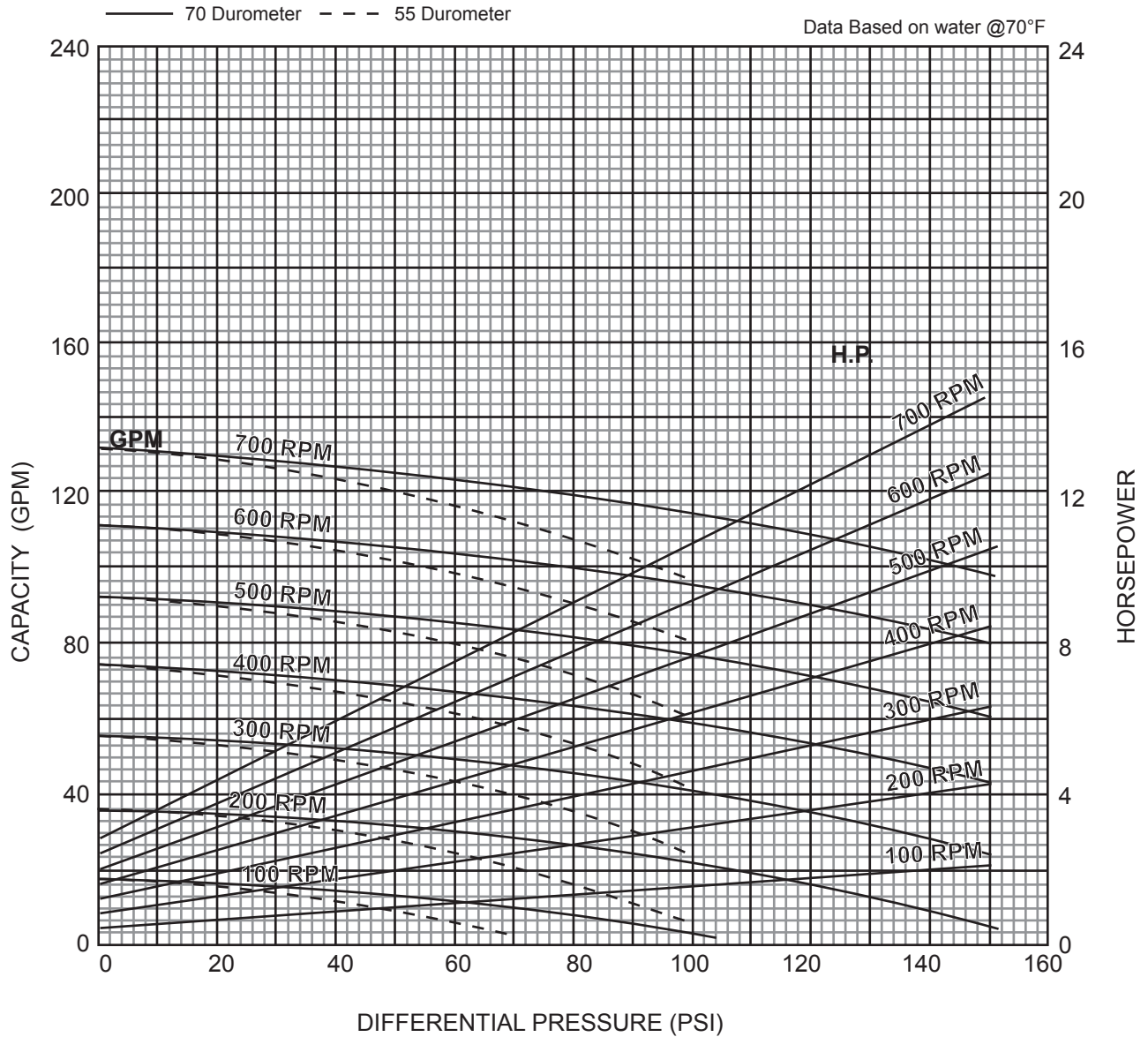


JUSTICE SERIES - 2LJ10

Progressive Cavity Pump

Performance Curves

RPM	100	200	300	400	500	600	700
NPSH REQ'D	.9	1.7	2.6	3.5	4.9	6.9	9.1
MIN. HP	1-1/2	2	3	5	7-1/2	7-1/2	10



2 Stage Pump

BACK TO TOP

P: 847.640.7867 F: 847.640.7855
2525 Clearbrook Drive Arlington Heights, IL 60005

www.libertyprocess.com

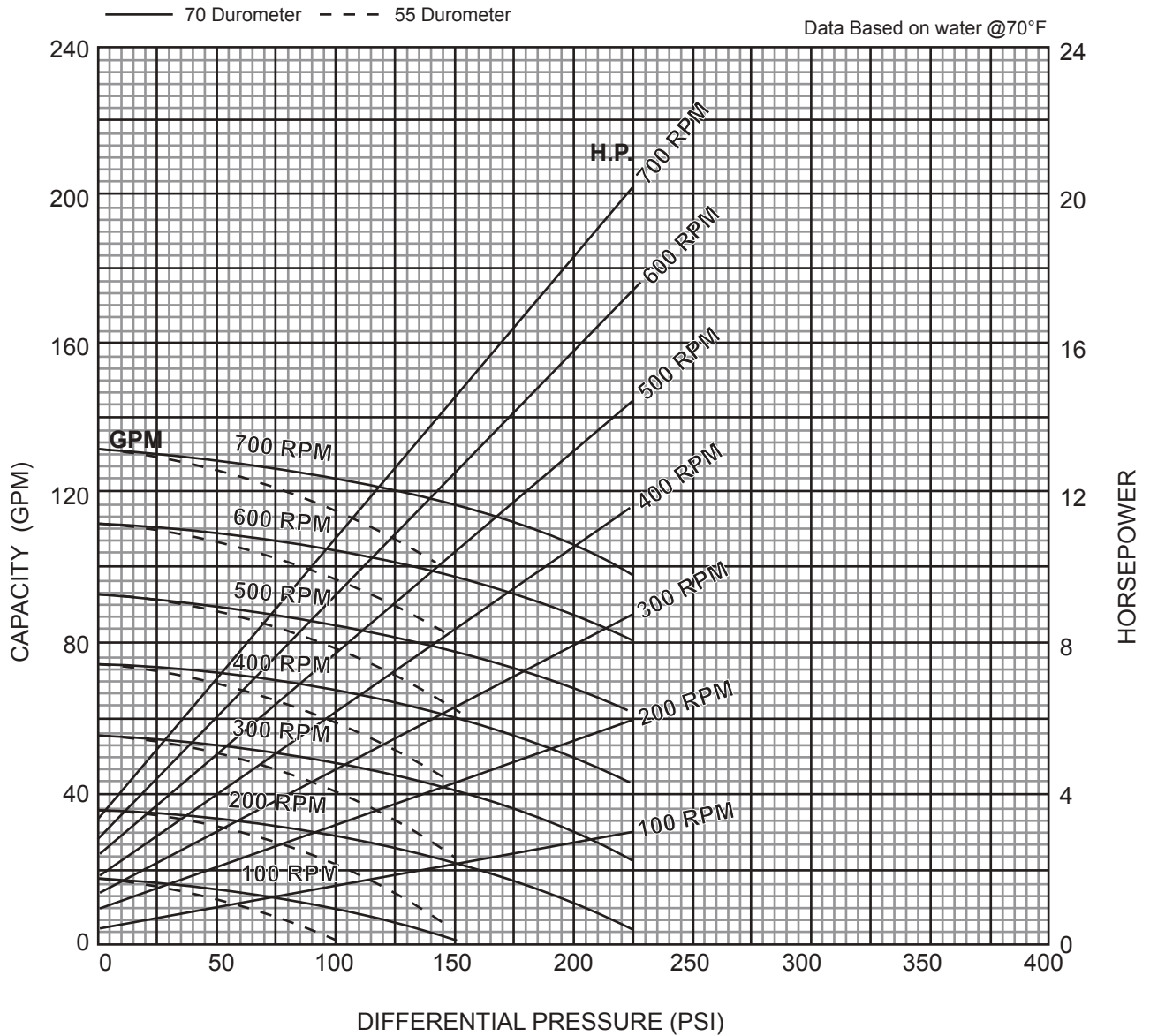


JUSTICE SERIES - 3LJ10

Progressive Cavity Pump

Performance Curves

RPM	100	200	300	400	500	600	700
NPSH REQ'D	.9	1.7	2.6	3.5	4.9	6.9	9.1
MIN. HP	2	3	5	7-1/2	10	10	15



3 Stage Pump

[BACK TO TOP](#)

P: 847.640.7867 F: 847.640.7855
2525 Clearbrook Drive Arlington Heights, IL 60005

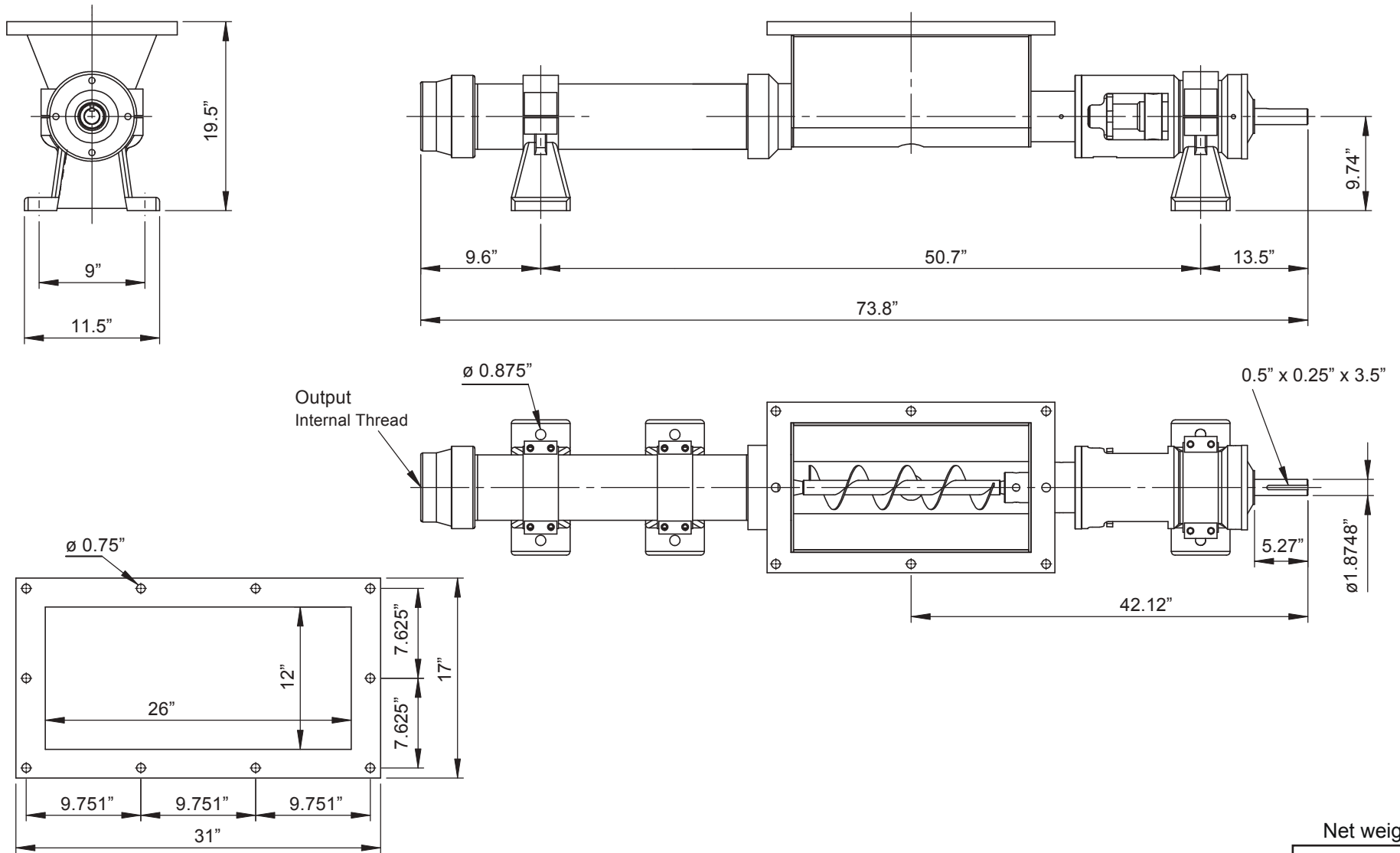
www.libertyprocess.com



JUSTICE SERIES - 1LJ10

Progressive Cavity Pump

Dimensional Drawings



[BACK TO TOP](#)

1 Stage Pump

Net weight	
≈ lbs.	-

ALL DIMN: Inches

P: 847.640.7867 F: 847.640.7855
2525 Clearbrook Drive Arlington Heights, IL 60005

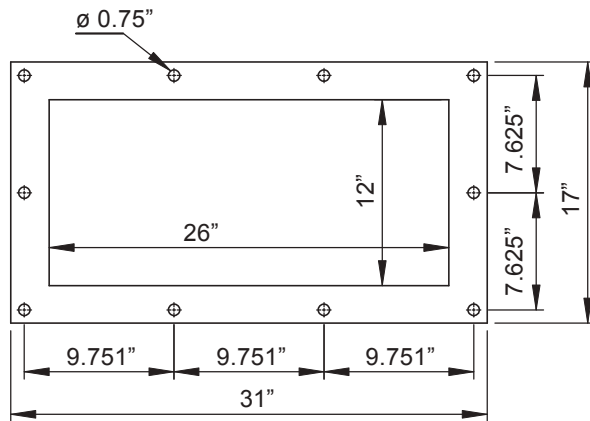
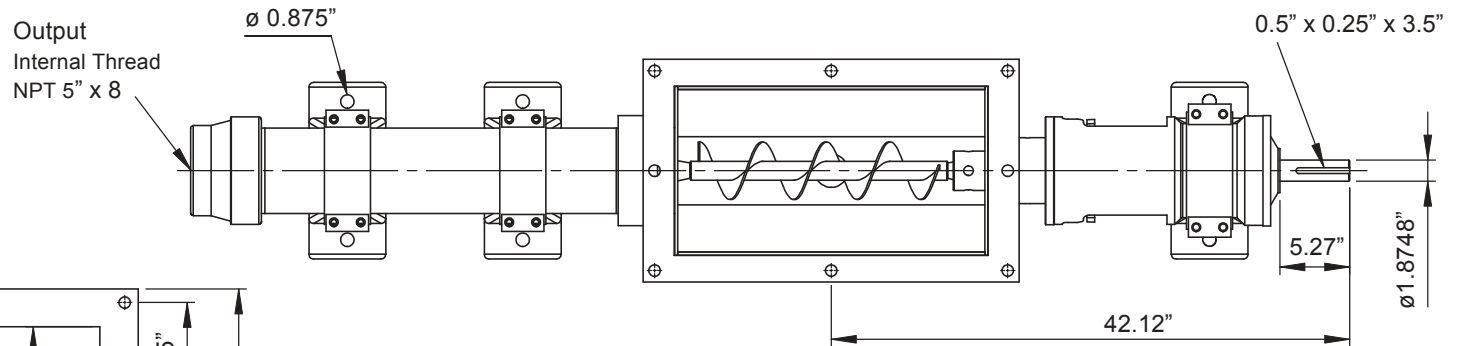
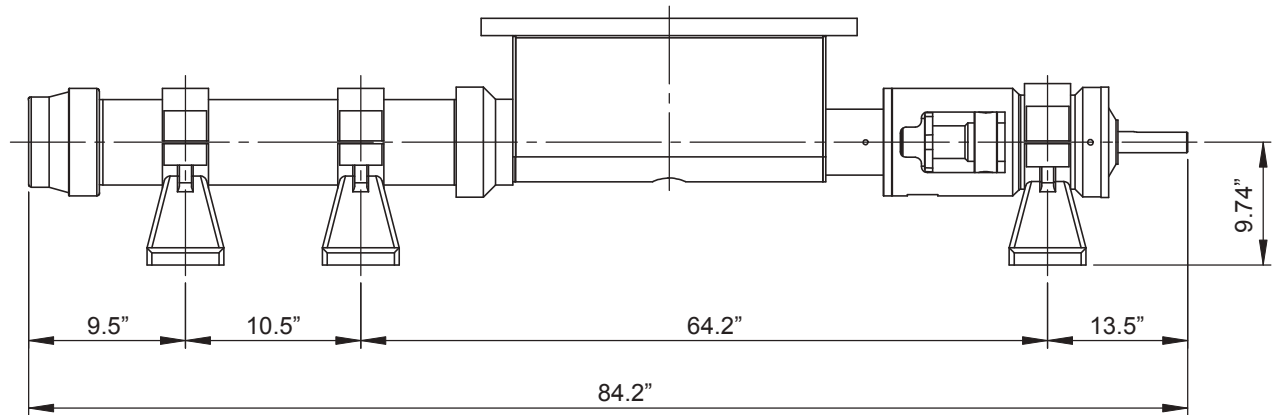
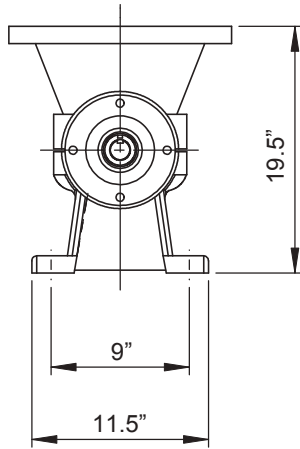
www.libertyprocess.com



JUSTICE SERIES - 2LJ10

Progressive Cavity Pump

Dimensional Drawings



[BACK TO TOP](#)

Net weight

≈ lbs.

-

ALL DIMN: Inches

2 Stage Pump

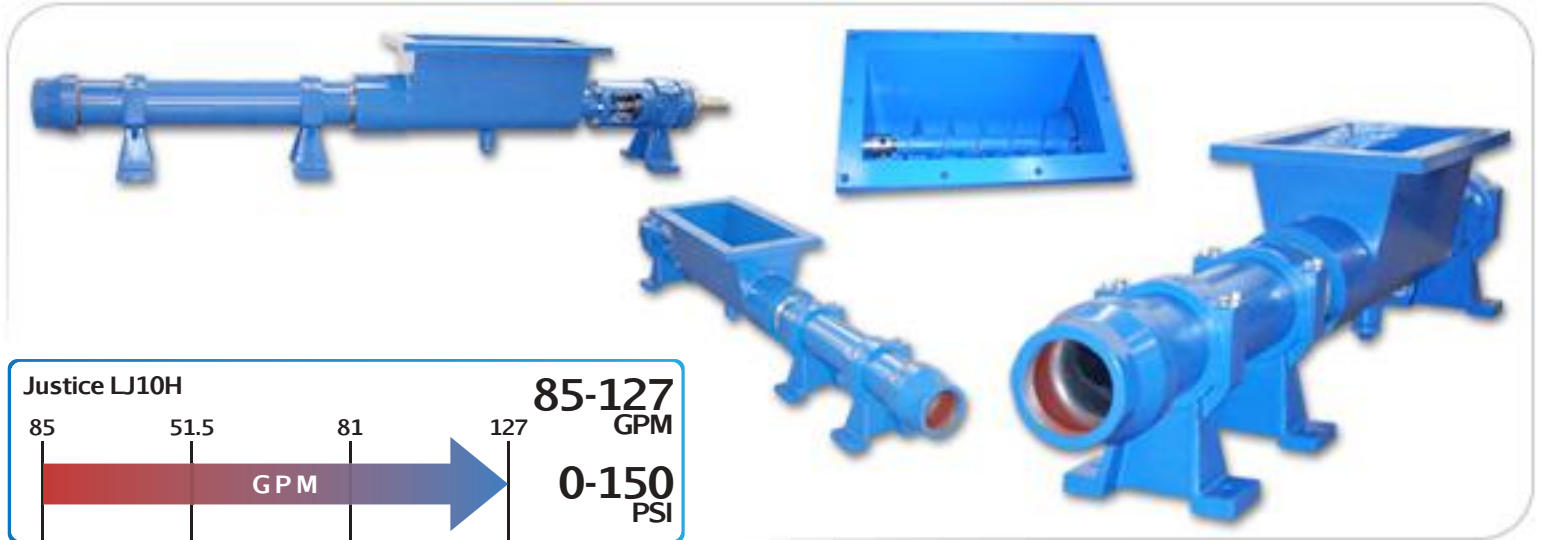
P: 847.640.7867 F: 847.640.7855
2525 Clearbrook Drive Arlington Heights, IL 60005

www.libertyprocess.com

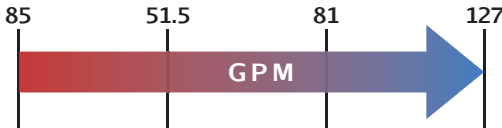


JUSTICE SERIES - LJ10H

Progressive Cavity Hopper Pump



Justice LJ10H



85-127
GPM

0-150
PSI

Features

- Large Hopper
- Welded Auger
- Hardened Joints
- Packing or Mechanical Seal
- 3-Stage Options
- Steel or Stainless Steel

Materials

Rotor: Tool or Stainless Steel - Chrome-Plated

Stator: Buna, Rubber, Viton™, EPDM

Motor: 7.5, 10, 15, and 20 hp

Inlet: 26" x 12"

Outlet: 5"

Bases: Steel and Stainless Steel

Pump Description

The Liberty Justice LJ10H Series Open Hopper Progressive Cavity Pump represents an ideal pumping solution for viscous solutions with high solids contents such as filter press feeding in the industrial wastewater industry. Flow rates of 27.7 GPM/ per 100 Revolutions (85 GPM to 127 GPM) at 0-150 PSI are standard through the range of the series. The Justice Series offers a design of a heavy-duty auger mated to a rotor and stator for the most difficult pumping applications available today.

The large rectangular feed hopper design easily accommodates your pumping medium while the non-pulsating design of the product produces a low-shear flow that conveys your medium along effortlessly. Solids in suspension of up to 50% are accommodated by the Auger design.

The modular design of the LJ10H Justice Series Open Hopper Progressive Cavity pump is a hardened pinned-joint drive assembly with a body available in steel or 316 stainless steel and internal wetted components in either stainless steel or hardened tool steel with hard chrome plating for long-life and durability in abrasive pumping applications.

Rotors and Stators for the LJ10H Justice Series are available in 1, 2, and 3 stages for applications with 75, 150, and 225 PSI discharge pressures with stators available in Buna Nitrile, Viton, EPDM and Natural Rubber. The standard seal design is a set of packing with a lantern ring and flush connections. Mechanical Seal options are readily available.

Contact a Liberty Process representative today for more information about the Justice Series

Curves

Click Links Below

1-Stage
1LJ10H

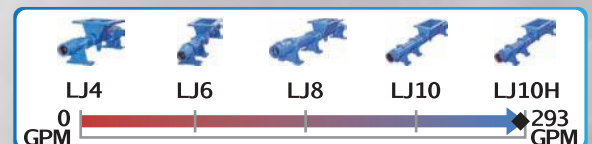
2-Stage
2LJ10H

Drawings

Click Links Below

1-Stage
1LJ10H

2-Stage
2LJ10H



P: 847.640.7867 F: 847.640.7855
2525 Clearbrook Drive Arlington Heights, IL 60005

www.libertyprocess.com

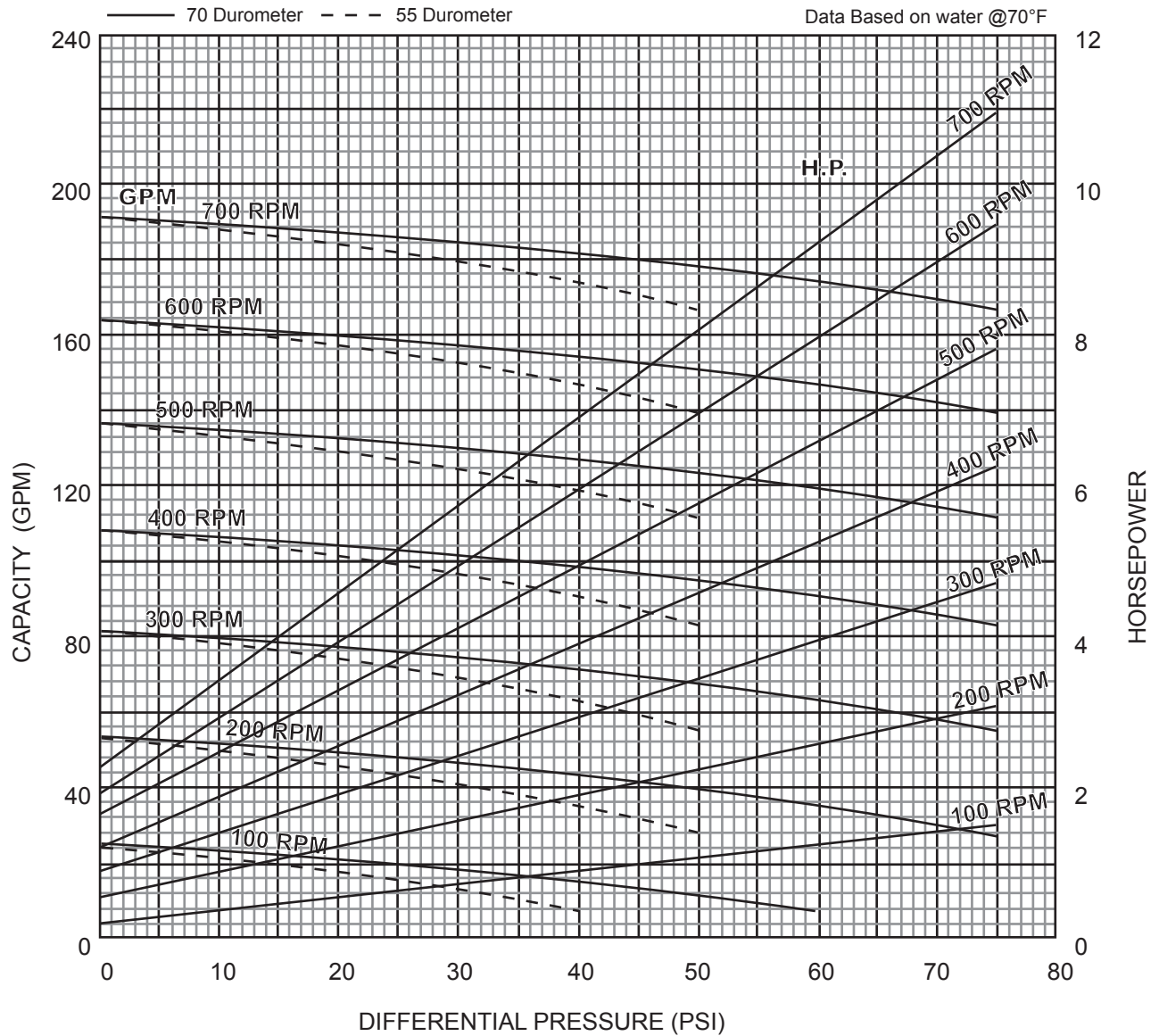


JUSTICE SERIES - ILJ10H

Progressive Cavity Pump

Performance Curves

RPM	100	200	300	400	500	600	700
NPSH REQ'D	1.1	2.1	3.2	4.7	7.4	9.9	12.6
MIN. HP	1	2	3	5	5	7-1/2	7-1/2



1 Stage Pump

BACK TO TOP

P: 847.640.7867 F: 847.640.7855
2525 Clearbrook Drive Arlington Heights, IL 60005

www.libertyprocess.com

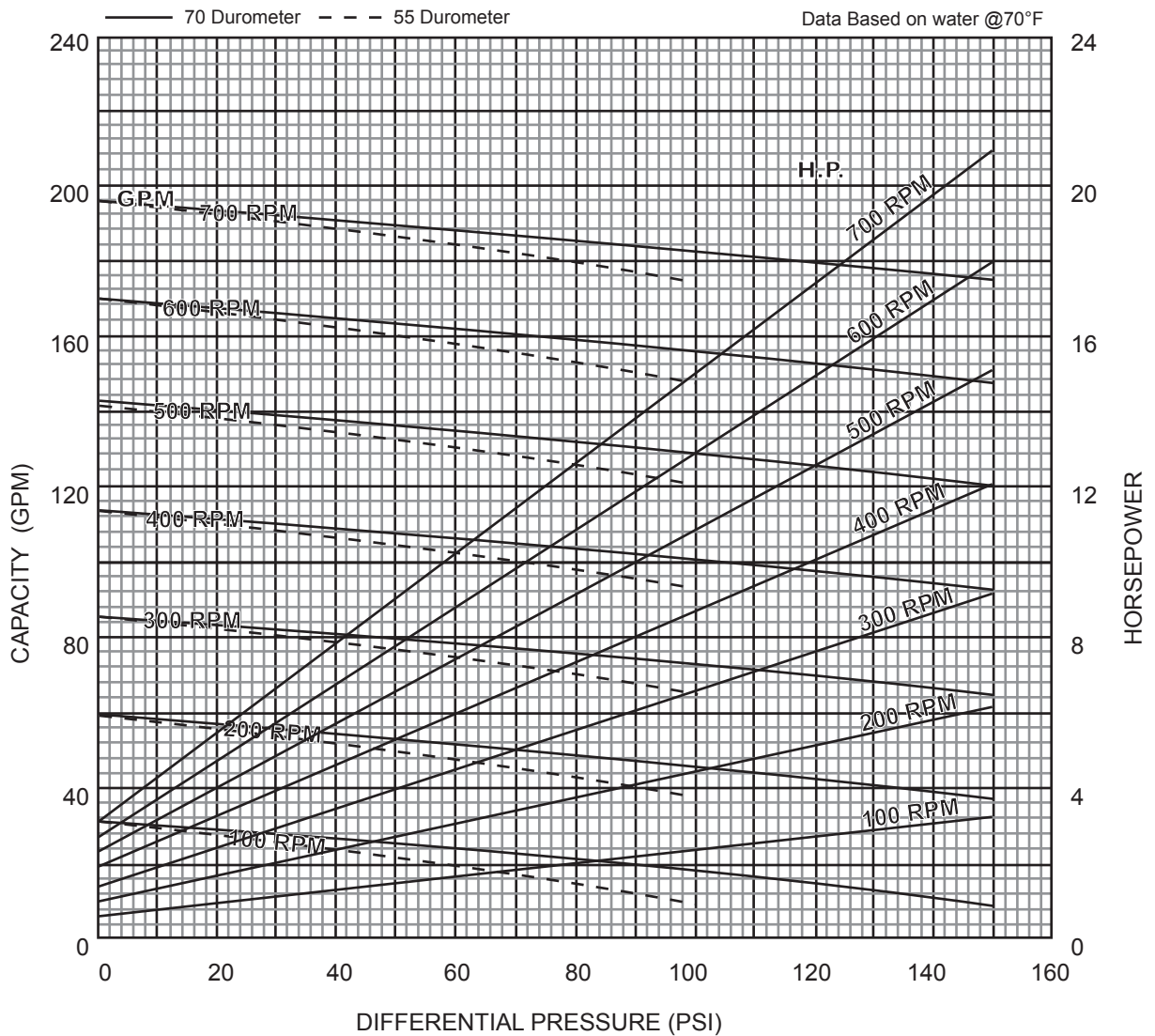


JUSTICE SERIES - 2LJ10H

Progressive Cavity Pump

Performance Curves

RPM	100	200	300	400	500	600	700
NPSH REQ'D	1.1	2.1	3.2	4.7	7.4	9.9	12.6
MIN. HP	2	5	5	7-1/2	10	10	15



2 Stage Pump

[BACK TO TOP](#)

P: 847.640.7867 F: 847.640.7855
 2525 Clearbrook Drive Arlington Heights, IL 60005

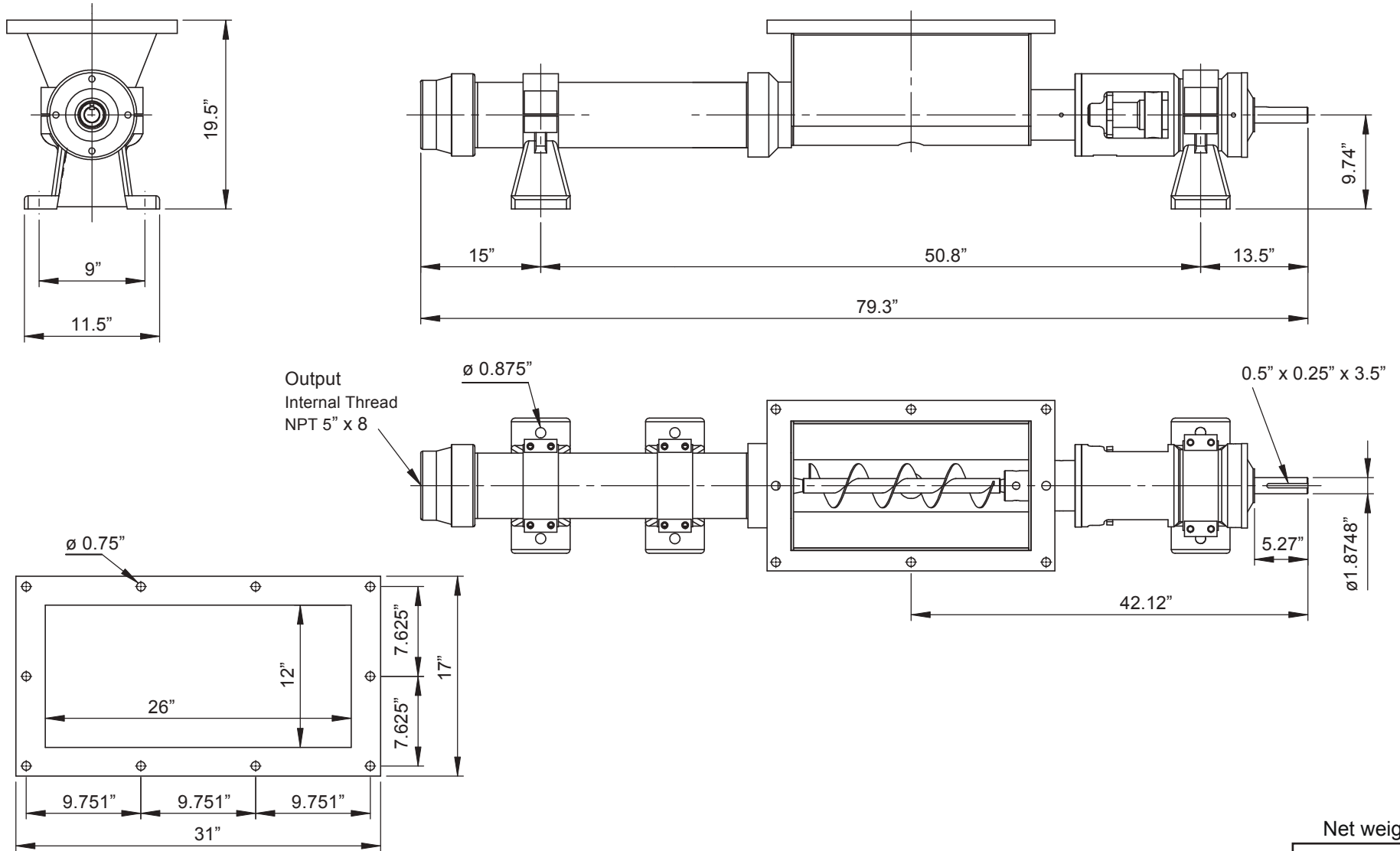
www.libertyprocess.com



JUSTICE SERIES - 1LJ10H

Progressive Cavity Pump

Dimensional Drawings



[BACK TO TOP](#)

1 Stage Pump

Net weight

≈ lbs.

-

ALL DIMN: Inches

P: 847.640.7867 F: 847.640.7855
2525 Clearbrook Drive Arlington Heights, IL 60005

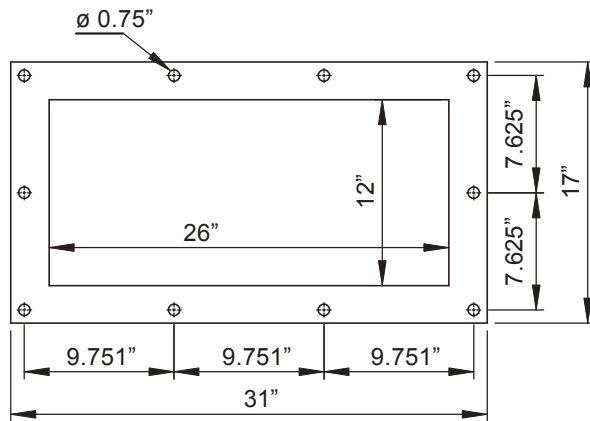
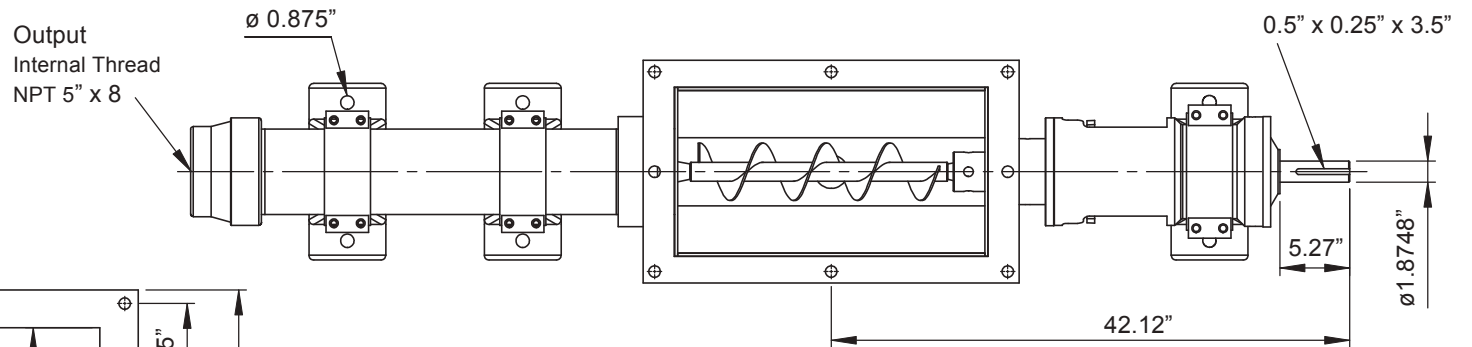
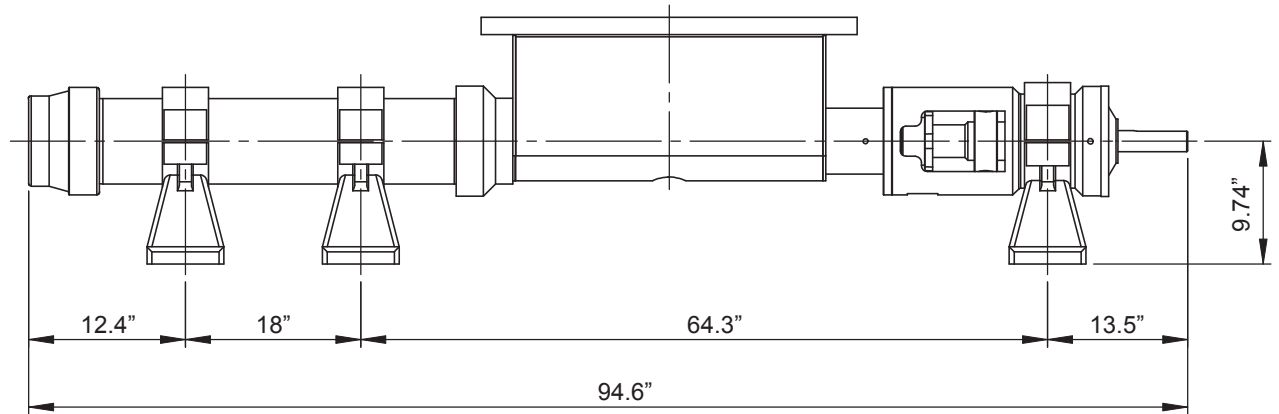
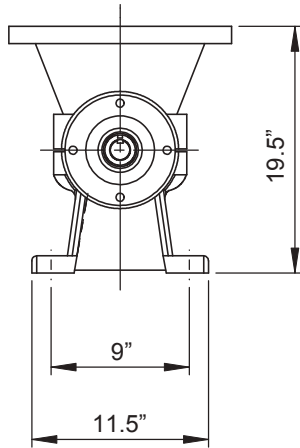
www.libertyprocess.com



JUSTICE SERIES - 2LJ10H

Progressive Cavity Pump

Dimensional Drawings



J10 Style

[BACK TO TOP](#)

Net weight

≈ lbs.

ALL DIMN: Inches

2 Stage Pump

P: 847.640.7867 F: 847.640.7855
2525 Clearbrook Drive Arlington Heights, IL 60005

www.libertyprocess.com